

**NEWAGE**

**PRM**

**MARINE GEARBOX**



**workshop manual**

# **PRM** HYDRAULIC MARINE **GEARBOX**

PRM 100

PRM 175

PRM 250

## WORKSHOP MANUAL

PUBLICATION No.10/1

Second Edition

Effective from April 1971

Issued by

**NEWAGE ENGINEERS LTD**  
**TRANSMISSIONS DIVISION**

**ALDBOURNE ROAD, COVENTRY CV1 4EP**  
**ENGLAND**

Telephone (0203) 25382

Cables Supagears Coventry Telex 31333

Price 50p nett

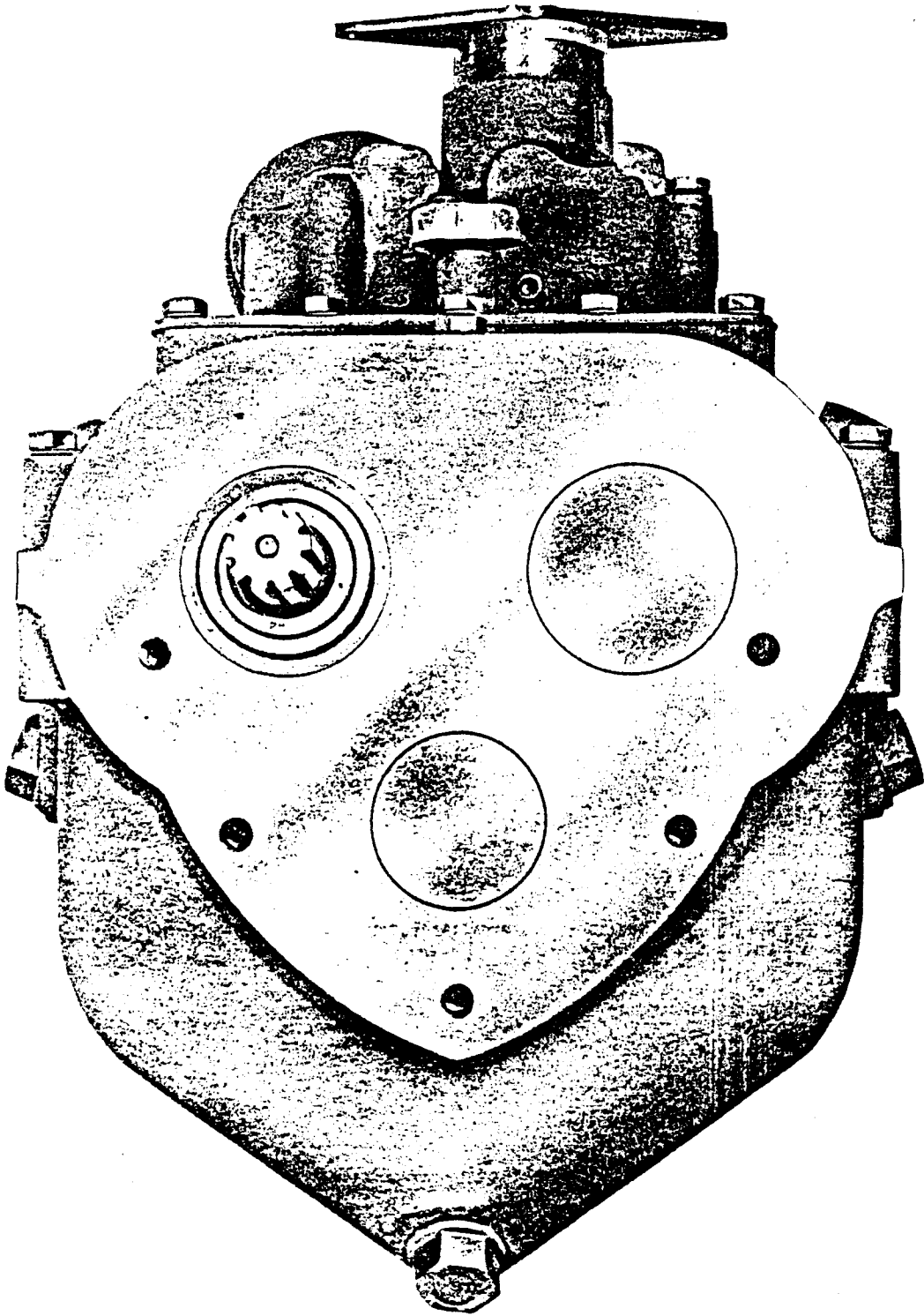


Fig. 1 PRM 100 Gearbox

## FOREWORD

The workshop manual has been prepared to assist the operator or user of PRM marine gearboxes and also to enable the skilled service engineer to undertake more detailed maintenance and overhaul.

The manual is divided into three basic sections; operation, maintenance and service parts respectively. Detailed breakdown of text and illustration references are shown on the contents page.

## GENERAL INFORMATION

PRM hydraulic marine gearboxes will give trouble-free service provided they are correctly installed, aligned and maintained. In the event of failure, the engine distributor who supplied the gearbox, or his local dealer, should be informed; where this is not possible, Newage Engineers Limited, or the distributor for the area, should be notified. In all communications, verbal or otherwise the model and serial number of the gearbox should be quoted.

## CLAIMS UNDER WARRANTY

Claims for the replacement of parts under warranty must always be submitted to the distributor who supplied the gearbox; if this is not possible, application may be made to the nearest distributor or dealer, who must, however, be advised of the supplier's name and address.

## SERVICE PARTS

The comprehensive illustrated parts list at the end of the book gives full information and ordering procedures.

# CONTENTS

|   | Page |
|---|------|
| Foreword . . . . .  | 3    |
| General Information . . . . .                               | 3    |
| Claims under warranty . . . . .                             | 3    |
| Service parts . . . . .                                     | 3    |
| General data . . . . .                                      | 5    |
| Introduction . . . . .                                      | 6    |
| Construction . . . . .                                      | 6    |
| Oil pump . . . . .  | 6    |
| Valve block . . . . .                                       | 6    |
| Installation . . . . .                                      | 6    |
| Changing the mounting position . . . . .                    | 7    |
| Recommended lubricants . . . . .                            | 14   |
| Operation . . . . .   | 15   |
| Hydraulic action . . . . .                                  | 15   |
| Lubrication . . . . .                                       | 17   |
| Emergency operation . . . . .                               | 17   |
| Routine Maintenance . . . . .                               | 17   |
| Initial servicing — after 25 running hours . . . . .        | 17   |
| General maintenance . . . . .                               | 17   |
| Removing the input shaft and layshaft assemblies . . . . .  | 19   |
| Input clutch shaft . . . . .                                | 19   |
| Oil seal . . . . .  | 19   |
| Drive end bearing . . . . .                                 | 19   |
| Clutch assembly . . . . .                                   | 19   |
| Clutch gear . . . . .                                       | 20   |
| Drive pinion . . . . .                                      | 20   |
| Non-drive end bearing . . . . .                             | 20   |
| Piston rings and feeder . . . . .                           | 20   |
| Layshaft . . . . .  | 21   |
| Drive end bearing . . . . .                                 | 21   |
| Clutch assembly-drive pinion and clutch gear . . . . .      | 21   |
| Non-drive end bearing . . . . .                             | 21   |
| Piston rings and feeder . . . . .                           | 21   |
| Replacing the input shaft and layshaft assemblies . . . . . | 21   |
| Output shaft . . . . .                                      | 21   |
| Front bearing and output gear . . . . .                     | 22   |
| Oil seal . . . . .  | 22   |
| Rear bearing . . . . .                                      | 22   |
| Valve block . . . . .                                       | 22   |
| Low pressure relief valves . . . . .                        | 22   |
| Control valve . . . . .                                     | 22   |
| High pressure relief valve . . . . .                        | 22   |
| Spare Parts Ordering . . . . .                              | 23   |
| Parts List . . . . .  | 25   |

# ILLUSTRATIONS

|  | Fig. |
|--|------|
| PRM100 gearbox . . . . .                             | 1    |
| PRM100 Installation details . . . . .                | 2    |
| PRM175 and PRM250 Installation details . . . . .     | 3    |
| Basic installation positions . . . . .               | 4    |
| Adaptor plate installation — SAE 5 housing . . . . . | 5    |
| Internal layout diagram — standard gearbox . . . . . | 6    |
| Oil flow diagram . . . . .                           | 7    |
| Gearbox sectional arrangement . . . . .              | 8    |
| Piston rings — fitting procedure . . . . .           | 9    |
| Gearbox top view . . . . .                           | 10   |
| Gearbox rear view . . . . .                          | 11   |
| Valve block assembly . . . . .                       | 12   |
| Clutched shaft assembly — input . . . . .            | 13   |
| Clutched shaft assembly — layshaft . . . . .         | 14   |
| Gearcase and output shaft assembly . . . . .         | 15   |

# GENERAL DATA

OIL PRESSURE

NEUT 60 PSI  
AH AST 180/210 1500 RPM

|                                  |   |
|----------------------------------|---|
| <b>PRM100</b>                    |   |
| Input torque                     | 100 lbf. ft. (14 kgm) continuous ahead or astern  |
| Input speed                      | 3500 rev/min continuous<br>4000 rev/min intermittent  |
| Input rotation                   | Clockwise (right-hand) or anti-clockwise (left-hand) rotating engines.                                |
| Output rotation                  | Clockwise or anti-clockwise irrespective of gear ratio  |
| Gear ratios                      | Direct drive (1:1) or integral reduction 1.96:1 or 2.94:1   |
| Oil Capacity                     | 3½ pints (2 litres) approximately* of any approved engine/gearbox oil. (See 'Recommended Lubricants') |
| Oil filter                       | Replaceable cartridge type  |
| Overall dimensions (approximate) |   |
| Length                           | 13 ¾ in. (35.2 cm)  |
| Width                            | 10 ¾ in. (26.4 cm)  |
| Height                           | 16 ¼ in. (42.4 cm)  |
| Dry weight (approximate)         | 120 lb (54 kg) standard gearbox without oil cooler  |

|                                  |  |
|----------------------------------|--|
| <b>PRM175 and PRM250</b>         |  |
| Input torque                     | 175 lbf. ft. (24 kgm) continuous ahead or astern (PRM175)<br>250 lbf. ft. (34.5 kgm) continuous ahead or astern (PRM250)                 |
| Input speed                      | 2500 rev/min continuous PRM175<br>3000 rev/min intermittent PRM175<br>2000 rev/min continuous PRM250<br>2800 rev/min intermittent PRM250 |
| Input rotation                   | Clockwise (right-hand) or anti-clockwise (left-hand) rotating engines  |
| Output rotation                  | Clockwise or anti-clockwise irrespective of gear ratio   |
| Gear ratios                      | 1.095:1, 1.935:1 or 2.9:1  |
| Oil capacity                     | 4 pints (2½ litres) approximately* of any approved engine/gearbox oil (See 'Recommended Lubricants')                                     |
| Oil filter                       | Replaceable cartridge type   |
| Overall dimensions (approximate) |  |
| Length                           | 14¾ in. (37.78 cm)   |
| Width                            | 11¾ in. (29.8 cm)  |
| Height                           | 18 ¼ in. (45.8 cm)   |
| Dry weight (approximate)         | 160 lb (72 kg) standard gearbox without oil cooler   |

\*NOTE: Capacity will vary according to installation angle, but the gearbox should always be filled to the high level mark on the dipstick.

## Moments of inertia

|             | PRM100             |                   | PRM175             |                   | PRM250             |                   |
|-------------|--------------------|-------------------|--------------------|-------------------|--------------------|-------------------|
|             | lb.ft <sup>2</sup> | kg.m <sup>2</sup> | lb.ft <sup>2</sup> | kg.m <sup>2</sup> | lb.ft <sup>2</sup> | kg.m <sup>2</sup> |
| WHEN IDLING | 0.2515             | 0.0106            | 0.5268             | 0.0222            | 0.5268             | 0.0222            |
| OUTPUT SIDE |                    |                   |                    |                   |                    |                   |
| 1:1         | 0.1163             | 0.0049            | 0.3441             | 0.0145            | 0.3441             | 0.0145            |
| 2:1         | 0.1827             | 0.0077            | 0.6573             | 0.0277            | 0.6573             | 0.0277            |
| 3:1         | 0.2468             | 0.0104            | 0.9041             | 0.0381            | 0.9041             | 0.0381            |
| TOTAL;      |                    |                   |                    |                   |                    |                   |
| 1:1         | 0.3678             | 0.0155            | 0.8709             | 0.0367            | 0.8709             | 0.0367            |
| 2:1         | 0.4343             | 0.0183            | 1.1841             | 0.0499            | 1.1841             | 0.0499            |
| 3:1         | 0.4983             | 0.0210            | 1.4309             | 0.0603            | 1.4309             | 0.0603            |

## INTRODUCTION

The PRM100, PRM175 and PRM250 hydraulic marine gearboxes are compact, efficient units, capable of transmitting full engine torque continuously through the forward and reverse gears. Rotation of the output shafts can be arranged to be either right hand or left hand, and all gearing is of helical design for quiet operation.

The gearbox casing has been kept free from hydraulic pipes, cylinders and associated components, and the only items mounted externally are the oil pump, oil filter and hydraulic control valves and operating lever.

Connections are provided on the valve block for the mandatory oil cooler and an oil pressure gauge, and alternative positions are available on the casing for mounting a tachometer.

## CONSTRUCTION

The transmission comprises a splined input drive shaft assembly, layshaft assembly and output shaft.

The input shaft, which is supported by a roller bearing at the drive end and a ball race at the non-drive end, incorporates a drive pinion of the required ratio, an emergency drive engaging ring (orthodox drive gearbox), forward drive clutch plate assembly, the clutch gear and an hydraulically operated piston to actuate the clutch. Likewise, the layshaft is supported by similar bearings and incorporates a drive pinion of the same ratio, the reverse drive clutch plate assembly, a clutch gear of opposite hand rotation to the one on the input shaft and an hydraulically operated piston to actuate the clutch.

The emergency drive engaging ring forms part of the layshaft assembly where the gearbox is fitted to an installation which includes an engine of conventional crankshaft rotation and a left-hand propeller, or vice-versa. With twin-engine installations which include one right-hand propeller and one left-hand propeller, the drive ring is fitted to the input shaft in one gearbox and to the layshaft in the other gearbox.

The output shaft is supported by a roller bearing at the forward end and a ball race at the output end, and carries the appropriate size output gear, and the output flange.

Sealing arrangements for the PRM100 include a 54 millimetre bore seal, with 9½ millimetre retainers on the output shaft, and a 25 millimetre bore seal on the input shaft. Seals of similar type are fitted on the PRM175 and PRM250, the bore of the output shaft seal bearing 68 millimetres with 9½ millimetre retainers and the bore of the input shaft seal being 30 millimetres. A magnetic drain plug is fitted at the front of the gearbox casing, this can be removed for connection of suitable pipework and a two-way tap to the hand-operated sump drain pump provided on most engines.

### Oil pump

A cast iron gear-type pump externally mounted at the rear of the gear case and normally driven by the layshaft supplies oil at high pressure for actuation of the clutch assemblies. For continuous lubrication of the clutches and for circulation through the oil cooler, the pressure is reduced.

### Valve block

The valve block, located on top of the casing, contains the main control valve, a high-pressure relief valve, and two pressure differential valves, all of which are accessible cartridge-type units. The high pressure relief valve is integral with the control valve, which controls the operation of the clutch assemblies. One of the pressure differential valves protects the oil cooler and the other diverts lubricating oil, surplus to clutch requirements, back to the sump.

The turret, or drum, section of the valve block houses the control valve and is fitted with a spring-loaded neutral detent. This detent also ensures positive selection of either the forward or reverse operating positions, and an added feature is the provision of an end stop to safeguard against possible overshoot of the operating lever. The lever has two-cable entry positions, one at each end.

A cartridge-type 15 micron by-pass filter, mounted on the valve block, provides continuous filtration of the circulating oil.

## INSTALLATION

The design of the gearbox is such that it is possible to mount the unit in any one of four basic positions, right-hand vertical, right-horizontal, left-hand vertical and left-hand horizontal.

Right-hand vertical (VR): This is the standard position, the gearbox being tilted to port, so that the input shaft is vertical to the output shaft.

Right-hand horizontal (HR): The gearbox is tilted to starboard, so that the input shaft is horizontal to the output shaft. The standard breather is blanked off, an alternative air filter fitted, and the dipstick is positioned on the port side of the gearcase.

Left-hand vertical (VL): The input shaft and layshaft assemblies are transposed and the gearbox tilted to starboard, so that the input and output shafts are again in a vertical plane. The oil pump is turned through 180 degrees, the standard air filter is used and the dipstick is positioned on top of the gearcase on the port side.

Left-hand horizontal (HL): The input shaft and layshaft assemblies are transposed with respect to the standard positions, the oil pump turned through 180 degrees, and the gearbox tilted to port so that the input and output shafts are in a horizontal plane. A special oil intake pipe is included, the standard breather is blanked off, and an alternative air filter fitted. The dipstick is positioned on the starboard side of the gearcase.

Before installing the gearbox, check that it is correct for the mounting attitude required, and then proceed as follows:

1. Mount the damping, or drive, plate to the engine flywheel, using an alignment mandrel (if available) and secure. If a mandrel is not available, tighten the drive plate bolts just sufficiently to prevent free movement, assemble the gearbox to the drive plate and rotate the engine two or three revolutions by hand to line up the plate. Tighten two or three opposite bolts through the flywheel housing inspection cover.
2. Remove the gearbox and fully tighten all the drive plate bolts.
3. Fit an appropriate seal around the drive shaft spigot if a watertight flywheel housing is required (see Fig. 5).
4. Mount the adaptor plate to the gearbox facing, concentric with the input shaft, ensuring the alignment is correct, for the position required. Adaptors to suit SAE2, 3, and 5 housings can be provided.
5. Offer up the gearbox and adaptor assembly to the engine drive plate and flywheel housing and enter the input shaft spline in the opposite spline on the drive plate. It may be necessary to rock the gearbox slightly to ensure the shaft enters. Press the gearbox/adaptor assembly fully into position.
6. Bolt the adaptor to the flywheel housing.
7. Mount an approved type oil cooler to the adaptor, remove the two 3/8in. B.S.P. plugs from the ends of the valve block and connect the cooler inlet and outlet oil connections to the block. Connect the appropriate water hoses, or pipes, to the cooler water connections, one at each end of the cooler.
8. If remote control of the gearbox is required, remove the operating lever from the valve block and connect up the control equipment in accordance with the manufacturer's instructions. For gearboxes not fitted with an external stop (serial numbers up to 1180), the movement of the operating lever should be arranged so that the control drum does not come up hard against the internal stop, or otherwise internal damage may eventually occur.
9. Connect the output flange via a suitable coupling to the propeller shaft.
10. If the oil pressure is to be indicated, an oil pressure gauge should be connected to the valve block in the position shown on the Installation Details drawing. Where an impulse type tachometer is required, drill and tap the appropriate boss on either side of the gearcase and install the perception head.
11. Check the gearbox for oil, and if necessary, fill with one of the recommended lubricants to the 'High' mark on the dipstick.
12. Set the control lever to the neutral position and run the engine to allow the oil to circulate through the oil cooler. Stop the engine and again check the level when the oil has settled.

#### Changing the mounting position

The gearbox is supplied equipped for mounting in the position required, but if at any time it is necessary to change the mounting position, an alternative air filter, dipstick assembly and oil intake pipe, as well as a breather blanking plug, may be required, depending on the positional change (See Fig. 4).

Frequently, when changing from a right-hand mounting position to a left-hand position, the gearbox will be required to operate with a left-hand rotating propeller. In this event it will be necessary to transfer the emergency drive splined ring and the splined clutch end cover from the input shaft to the layshaft if the 'get you home' device is to function as intended.



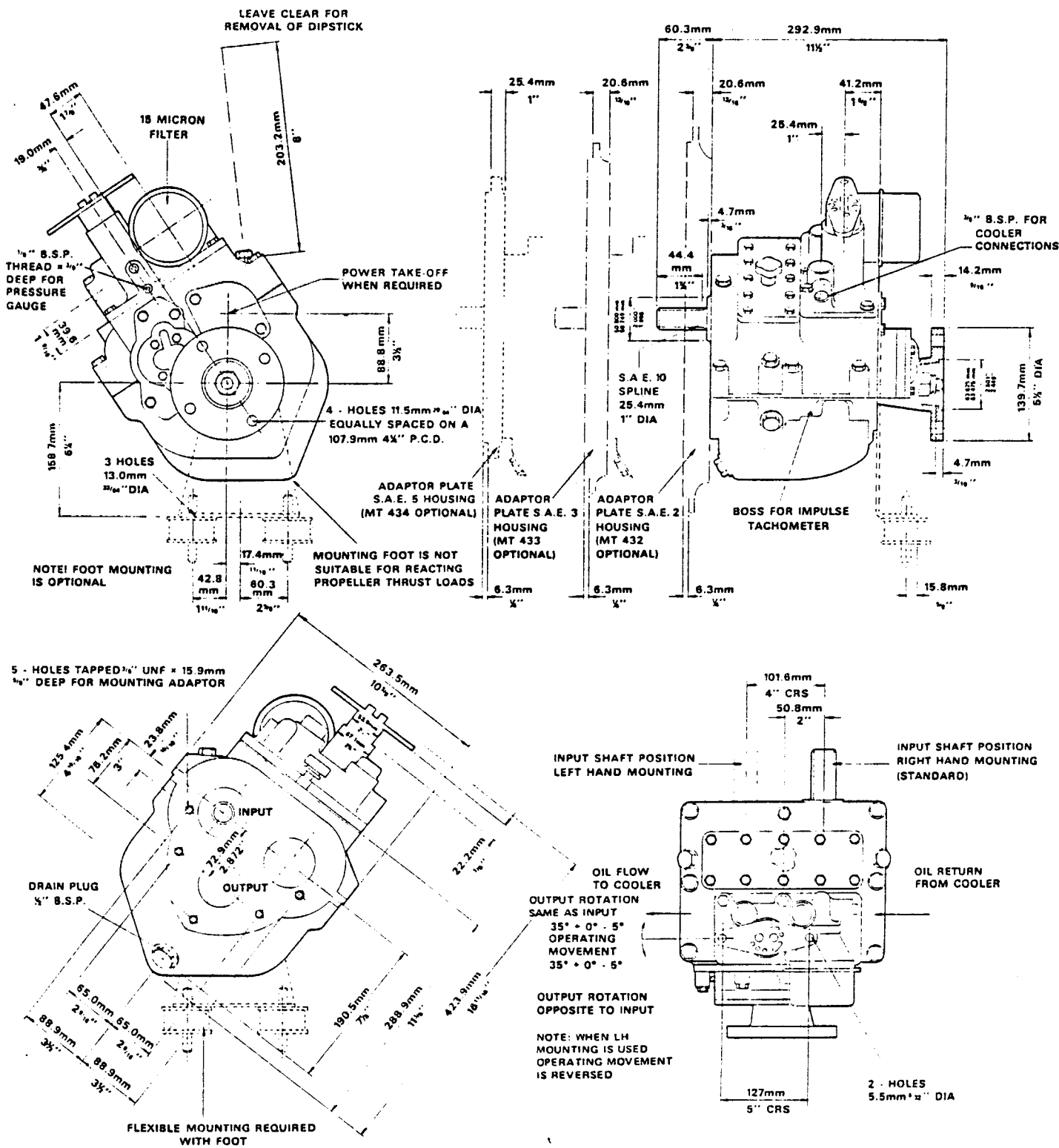


Fig. 2 PRM 100 Installation Details

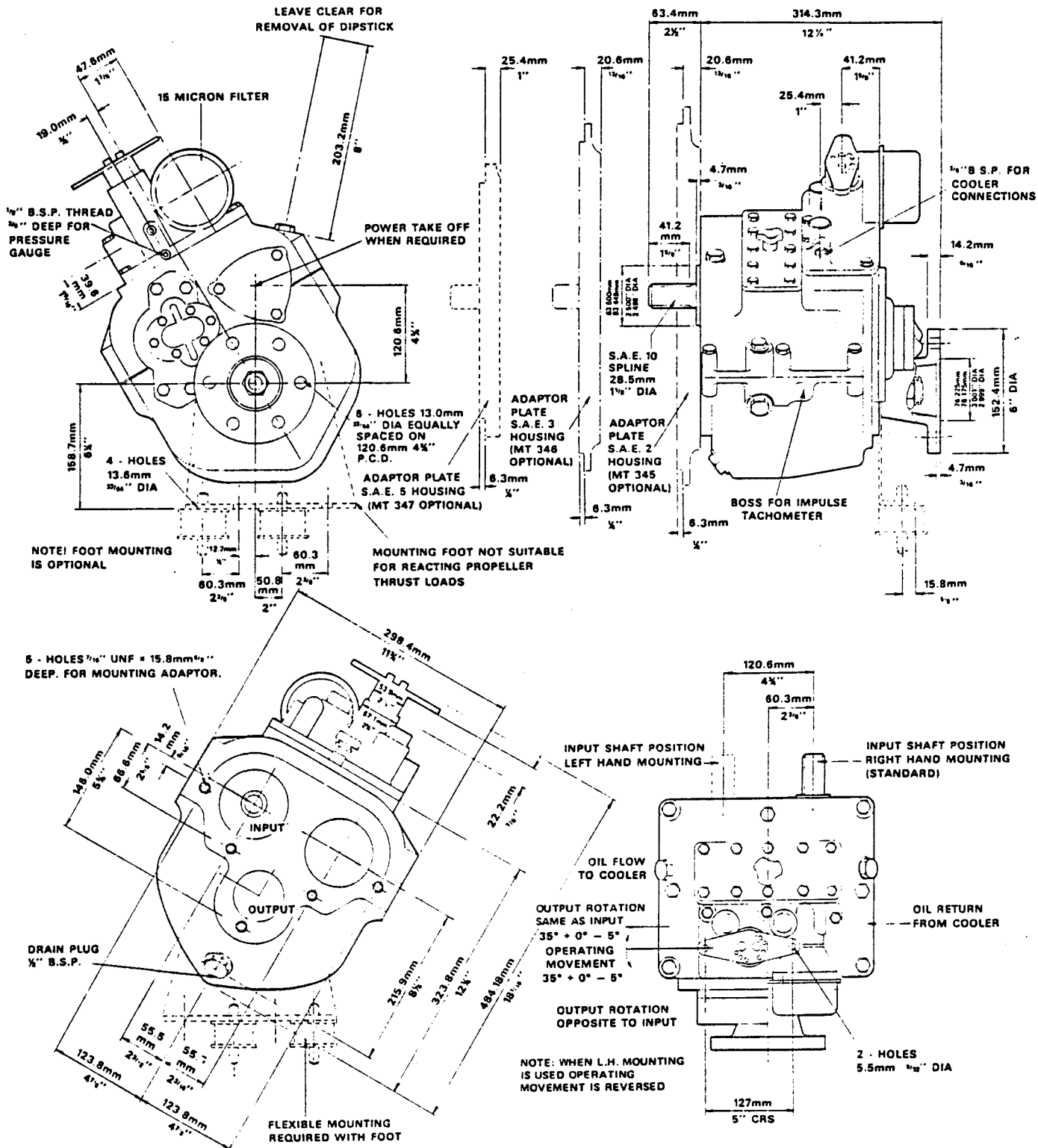


Fig. 3 PRM 175 & PRM 250 Installation Details

Position change procedures, using a SAE5 housing adaptor plate, are detailed in the following paragraphs:

**From Vertical right to Horizontal right**

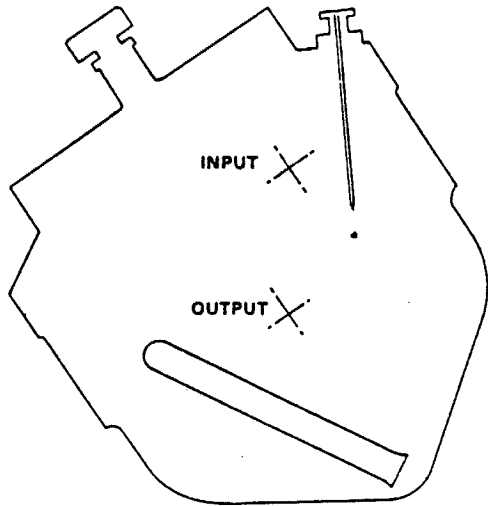
1. Disconnect the propeller shaft coupling from the gearbox output flange.
2. If remote control equipment is installed, remove the appropriate cable or cables.
3. Remove the water drain plug from the oil cooler and allow the cooler to drain. Disconnect the oil pipes and water hoses from the oil cooler and remove the cooler from the adaptor.
4. Remove the standard air filter CP1057 from the breather on the top cover, and blank off the breather using plug CP1123.
5. Remove the vertical fitting dipstick assembly, MT471 (PRM100) or MT472 (PRM175 and PRM250), and fit in its place a flanged plug taken from the opposite side of the gearcase top.
6. Fit in the position previously occupied by the plug a horizontal fitting air filter, MT421.
7. Remove the flanged plug from the port side of the lower gearcase, and fit in its place a horizontal fitting dipstick assembly, MT485 (PRM100) or MT486 (PRM175 and PRM250).
8. Support the gearbox and remove the adaptor plate mounting bolts.
9. Turn the gearbox and adaptor assembly through 90 degrees in the starboard direction to a point where the input shaft is horizontal to the output shaft.
10. Replace the adaptor bolts and secure.
11. Refit the oil cooler and reconnect the water pipes and hoses.
12. Reconnect the control cable(s) and couple up the propeller shaft.

**From Vertical left to Horizontal left**

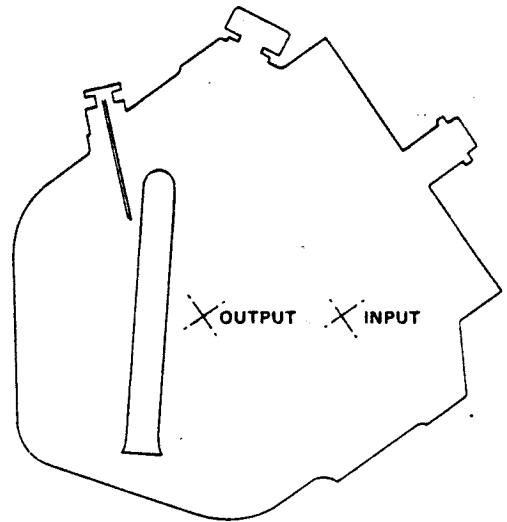
1. Disconnect the propeller shaft, drain the oil cooler, disconnect the water hoses and oil pipes from the oil cooler, and remove the cooler from the adaptor. If control equipment is fitted, disconnect the cable or cables.
2. Remove the oil pump, taking care not to damage the 'O' rings.
3. Withdraw the standard oil intake pipe, taking care not to damage the 'O' ring, and fit the shorter pipe MT362 (PRM100) or MT410 (PRM175 and PRM250) between the web and the wall of the gearcase.
4. Refit the oil pump.
5. Remove the standard air filter, CP1057, from the breather on the top cover and blank off the breather, using plug CP1123.
6. Remove the dipstick assembly MT471 (PRM100) or MT472 (PRM175 and PRM250) and fit in its place a flanged plug, CP1189, taken from the opposite side of the gearcase top.
7. Fit in the position occupied by the plug a horizontal fitting air filter, MT421.
8. Remove the flanged plug from the starboard side of the lower gearcase, and fit the horizontal fitting dipstick assembly MT485 (PRM100) or MT486 (PRM175 and PRM250).
9. Support the gearbox and remove the adaptor plate mounting bolts.
10. Turn the gearbox and adaptor assembly through 90 degrees in the port direction to a point where the input shaft is horizontal to the output shaft, replace the adaptor plate mounting bolts and secure.
11. Reconnect the oil cooler and pipes and the control cable(s), and couple up the propeller shaft.

**From Vertical right to Vertical left**

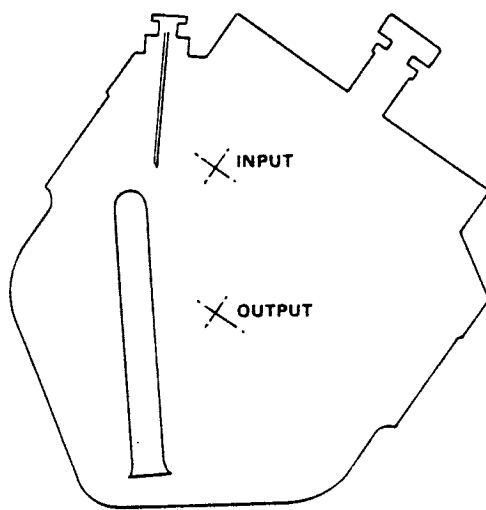
1. Disconnect the propeller shaft coupling from the gearbox flange.
2. If remote control equipment is installed, remove the appropriate cable or cables.
3. Drain the oil cooler, disconnect the oil pipes and water hoses from the oil cooler and remove the cooler from the adaptor.
4. Remove the flanged plug from the port side of the gearcase top and fit in its place the dipstick assembly removed from the opposite side. Fit the plug in the position occupied by the dipstick.
5. Support the gearbox and remove the adaptor plate mounting bolts.
6. Withdraw the gearbox and adaptor plate assembly from the engine and place on a flat surface in the vertical right mounting attitude.
7. Remove the end cover from the gearbox, note the position of the oil pump relative to the case and then remove the pump.
8. Remove the top half of the gearcase.
9. Lift out the input shaft and the layshaft assemblies and transpose. If the gearbox is to operate with a left-hand propeller, remove both drive pinions as described under 'General Maintenance' and transfer the emergency drive splined ring from the input shaft pinion to the layshaft pinion. Withdraw both clutch assemblies and transpose the splined and plain end covers on the pinions. Reload the clutch plate assemblies on to the pinions and refit the pinions to the shafts.
10. Replace the top half of the gearcase, ensuring the feeders are aligned with the corresponding connectors in the case. It may be helpful to remove the valve block if difficulty is encountered.
11. Turn the oil pump through 180 degrees and refit to the gearcase.
12. Replace the end cover.
13. Mark the five bolts on the adaptor plate with chalk or engineer's blue and remove the bolts and plate from the gearbox face.
14. Turn the adaptor plate in the port direction until the next lower bolt hole lines up with the lower bolt hole in the gearbox face. If necessary fit a new seal round the input shaft spigot.
15. Insert the five bolts in the alternative holes and secure the plate to the gearbox face.
16. Turn the gearbox/adaptor assembly in the starboard direction to a point where the input shaft is vertical to the output shaft, and refit the gearbox/adaptor assembly to the engine.
17. Refit the oil cooler and reconnect the oil pipes and water hoses.
18. Reconnect the control cables and couple up the propeller shaft.



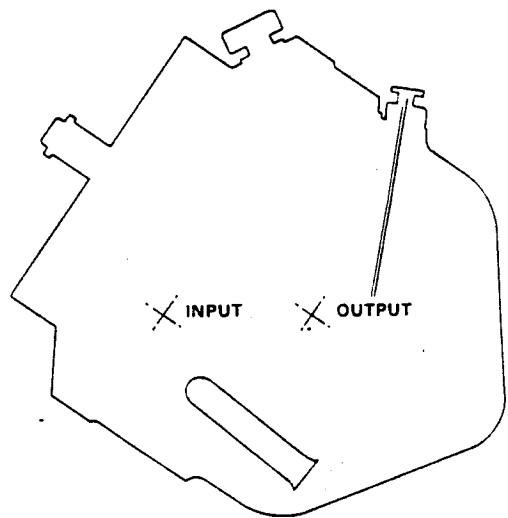
RIGHT HAND MOUNTING - VERTICAL (VR)



RIGHT HAND MOUNTING - HORIZONTAL (HR)



LEFT HAND MOUNTING - VERTICAL (VL)



LEFT HAND MOUNTING - HORIZONTAL (HL)

Fig. 4 Basic Installation Positions

#### From Horizontal right to Horizontal left

1. Remove the gearbox and adaptor assembly from the engine as described under 'From vertical right to vertical left' instructions 1,2,3,5 and 6.
2. Remove the end cover and oil pump from the gearbox case, noting the position of the oil pump relative to the case.
3. Remove the top half of the case and lift out the drive shaft and layshaft assemblies.
4. Remove the standard oil intake pipe and fit the short intake pipe MT362 (PRM100) or MT410 (PRM175 and PRM250) between the web and wall of the case.
5. Transpose the input shaft and layshaft in the gearcase, and if the gearbox is to operate with a left-hand propeller, remove both drive pinions as described under 'General Maintenance' and transfer the emergency drive splined ring from the input shaft pinion to the layshaft pinion. Withdraw both clutch assemblies and transpose the splined and plain end covers on the pinions. Reload the clutch plate assemblies on to the pinions and refit the pinions to the shaft.
6. Replace the gearcase top, ensuring the feeders on the shafts are in alignment with the corresponding connectors in the case.
7. Remove the flanged plug from the starboard side of the top half of the gearcase and transpose with the air filter on the opposite side.
8. Remove the flanged plug on the starboard side of the lower gearcase, and transpose with the dipstick assembly on the opposite side.
9. Remove the adaptor plate from the gearbox face and fit in the alternative position, as described under 'From vertical right to vertical left' instructions 13, 14 and 15.
10. Turn the gearbox and adaptor assembly in the port direction to a point where the input shaft is horizontal to the output shaft and refit the gearbox and adaptor assembly to the engine.
11. Complete the re-assembly as previously described.

#### From Vertical right to Horizontal left

1. Remove the gearbox and adaptor assembly from the engine as described under 'From vertical right to vertical left' instructions 1, 2, 3, 5 and 6.
2. Remove the end cover and oil pump from the gearcase, noting the position of the pump relative to the case.
3. Remove the top half of the gearcase and lift out the input shaft and layshaft assemblies.
4. Withdraw the standard oil intake pipe and fit the shorter intake pipe MT362 (PRM100) or MT410 (PRM175 and PRM250) between the web and wall of the gearcase.
5. Transpose the input shaft and layshaft in the gearcase, and if the gearbox is to operate with a left-hand propeller remove both drive pinions as described under 'General Maintenance' and transfer the emergency drive splined ring from the input shaft pinion to the layshaft pinion. Withdraw both clutch assemblies and transpose the splined and plain end covers on the pinions. Reload the clutch plate assemblies on to the pinions and refit the pinions to the shaft.
6. Replace the gearcase top.
7. Turn the oil pump through 180 degrees and refit to the gearcase.
8. Refit the end cover.
9. Remove the air filter from the breather on the top cover and blank off the breather with plug CP1123.
10. Remove the dipstick assembly from the starboard side of the gearcase top and fit in its place air filter MT421.
11. Remove the flanged plug from the starboard side of the lower gearcase and fit in its place the dipstick assembly MT485 (PRM100) or MT486 (PRM175 and PRM250).
12. Remove the adaptor plate from the gearbox face and fit in the alternative position, as described under 'From vertical right to vertical left' instructions 13, 14 and 15.
13. Turn the the gearbox and adaptor assembly in the port direction to a point where the input shaft is horizontal to the output shaft, and refit the gearbox/adaptor assembly to the engine.
14. Refit the oil cooler, connect up the control equipment and couple up the propeller shaft.

#### From Horizontal right to Vertical left

1. Remove the gearbox/adaptor assembly from the engine, as described under 'From vertical right to vertical left' instructions 1, 2, 3, 5 and 6.
2. Remove the end cover and oil pump from the gearcase, noting the position of the pump relative to the case.
3. Remove the top half of the gearcase, lift out the input shaft and layshaft assemblies and transpose. If the gearbox is to operate with a left-hand propeller, withdraw the drive pinions and clutch assemblies, transfer the splined ring to the layshaft pinion and transpose the clutch splined and plain end covers on the pinions. Reload the clutch plate assemblies on to the pinions and refit the pinions to the shafts.
4. Refit the gearcase top, refit the end cover, turn the oil pump through 180 degrees and refit.
5. Remove the blanking plug from the breather on the top cover and fit the air filter CP1057, in its place.
6. Remove the air filter MT421 from the port side of the gearcase top, and fit in its place the dipstick assembly MT471 (PRM100) or MT472 (PRM175 and PRM250).
7. Remove the dipstick assembly from the port side of the lower gearcase and fit in its place a flanged plug CP1189.

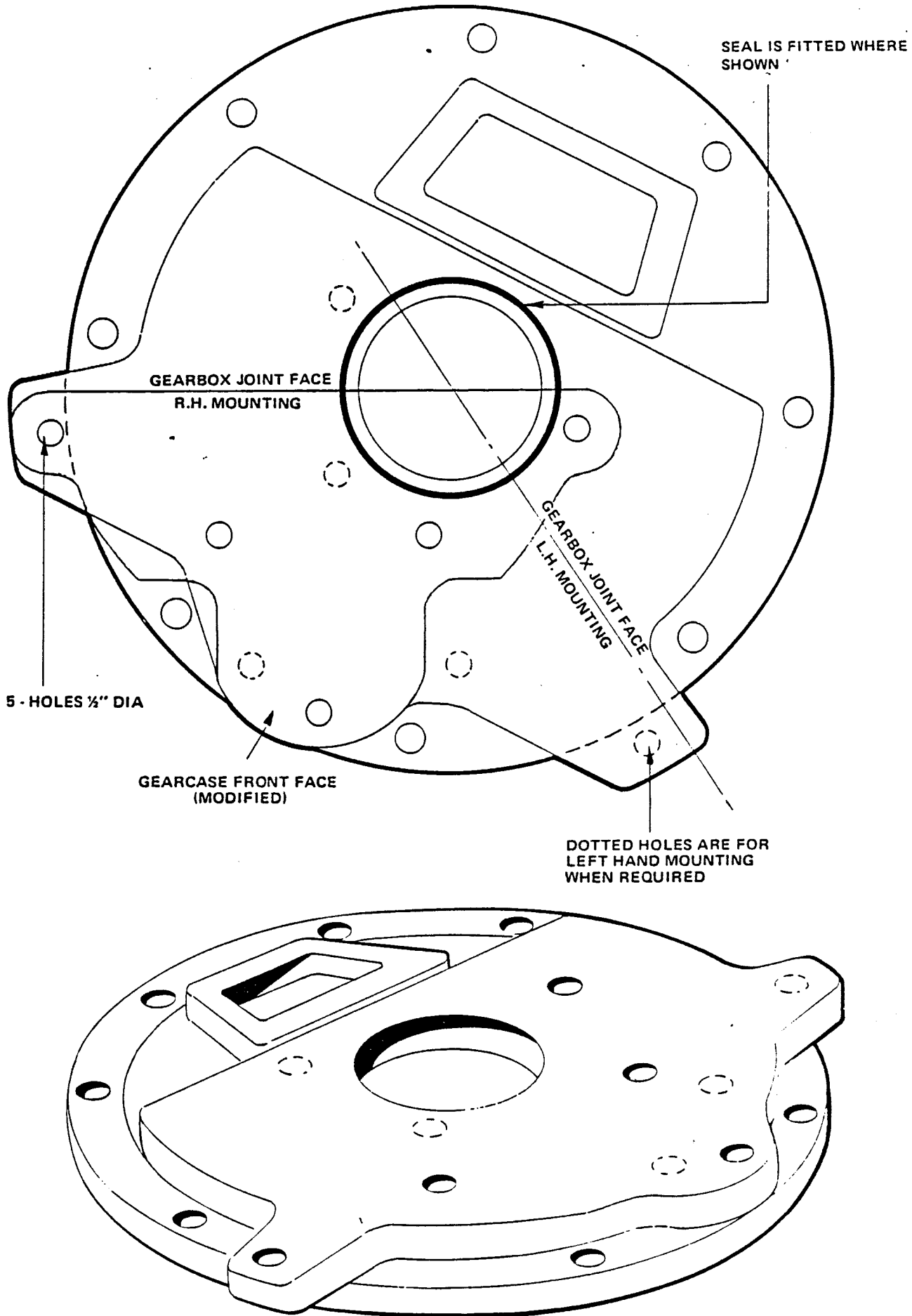


Fig. 5 Adaptor Plate Installation — SAE5 housing

8. Remove the adaptor plate from the gearbox face, and fit in the alternative position as described under 'From vertical right to vertical left' instructions 13, 14 and 15.
9. Turn the gearbox/adaptor assembly in the port direction to a point where the input shaft is vertical to the output shaft, and refit the assembly to the engine.
10. Refit the oil cooler, connect up the control equipment and couple up the propeller shaft.

Reverse procedures apply when the positional change is the opposite to any one of those given.

## RECOMMENDED LUBRICANTS

| Climatic Conditions              | Esso                                   | Mobil          | Shell          | B.P.            | Duckhams                   | Castrol        |
|----------------------------------|--|----------------|----------------|-----------------|----------------------------|----------------|
| Above 90°F (32°C)                | Esso Extra 20W/30 or Essofleet H.D.30  | Delvac Oil 930 | Rotella 30     | Energol D.D.30  | Duckhams Multigrade Q20/50 | Castrol C.R.30 |
| 90°F (32°C) down to 10°F (-12°C) | Esso Extra 20W/30 or Essofleet H.D. 20 | Delvac Oil 920 | Rotella 20/20W | Energol D.D.20W | Duckhams Multigrade Q20/50 | Castrol C.R.20 |
| 10°F (-12°C) down to 0°F (-18°C) | Esso 10W or Essofleet H.D.10W          | Delvac Oil 910 | Rotella 10W    | Energol D.D.10W | Duckhams Q5500             | Castrol C.R.10 |

## OPERATION

With the control lever in the mid-point of travel or neutral position, and the engine running, the splined input drive shaft and clutch gear revolve at engine speed. The clutch gear, in continuous mesh with the clutch gear on the layshaft, drives the layshaft in the opposite direction, but the drive pinions do not rotate.

On moving the control lever to the forward drive position, hydraulic action causes the clutch on the input drive shaft to engage and apply engine drive to the forward drive pinion. The pinion turns the gear on the output shaft and the propeller and propeller shaft rotate in the direction which corresponds with ahead movement of the vessel. Likewise when the control lever is operated to the reverse position the clutch on the layshaft engages and engine drive is applied to the reverse pinion. The pinion turns the gear on the output shaft in the opposite direction and the propeller shaft and propeller rotate in the direction corresponding to astern movement of the vessel.

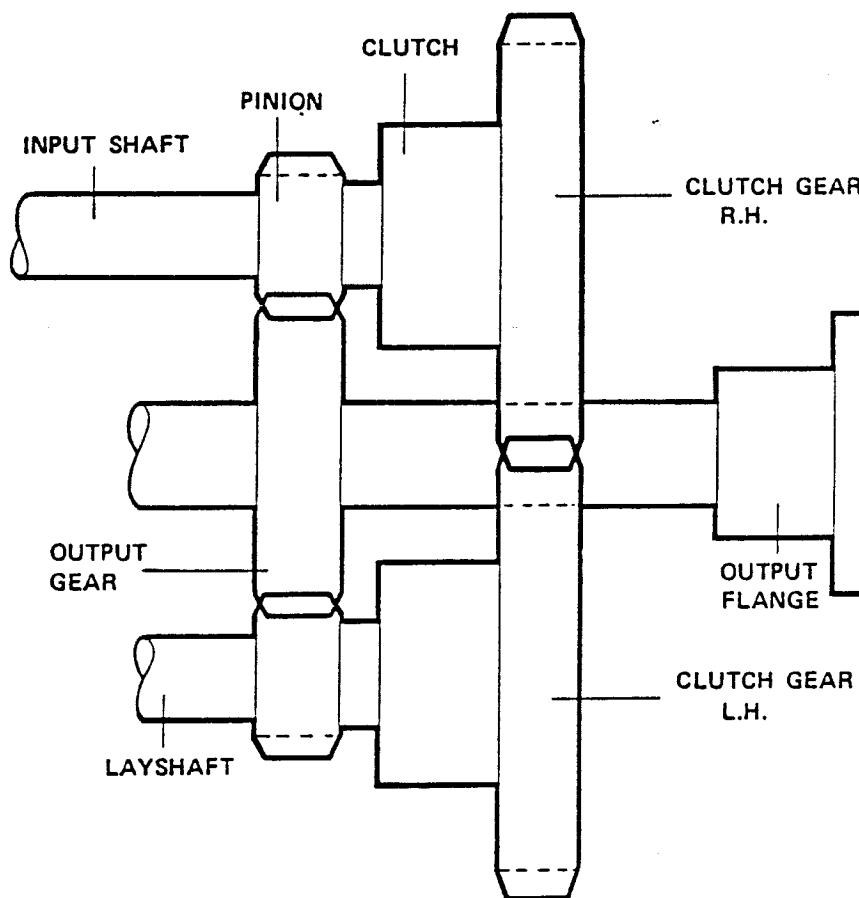


Fig. 6 Internal layout diagram — standard gearbox

### Hydraulic action

The oil pump draws oil from the gearbox sump through the internal lubricating pipe and delivers it to the valve control block. A high pressure relief valve in the control valve maintains pressure, and oil flows through an outlet in the control valve, on through a channel, or passage in the control block, and a feeder on either the drive shaft or layshaft, depending on the lever position, to the appropriate piston.

Operation of the piston then actuates the corresponding clutch assembly.

Excess oil passes the high pressure relief valve for lubrication purposes.



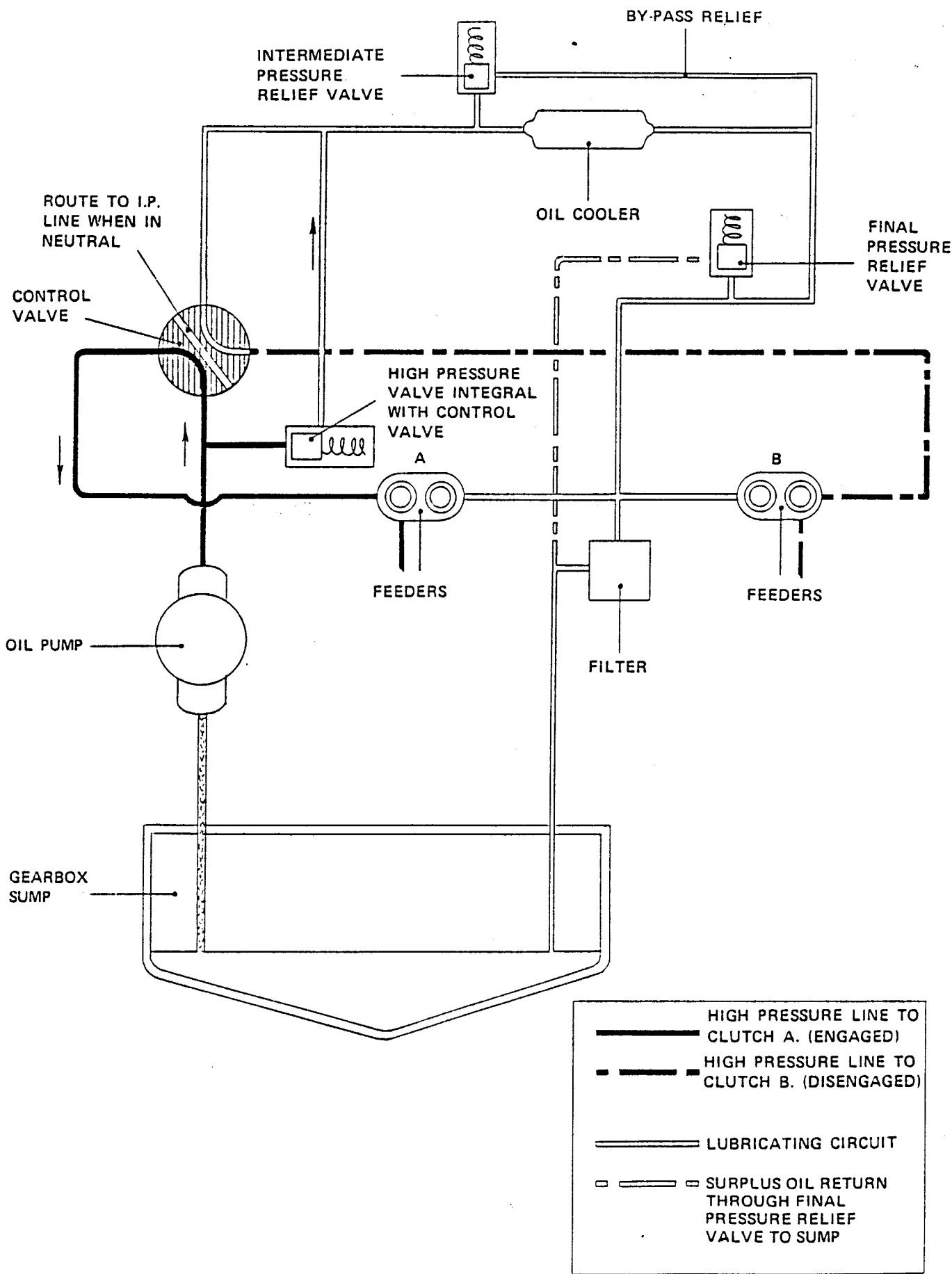


Fig. 7 Oil Flow Diagram

### Lubrication

It will be seen from the oil flow diagram (Fig. 7) that oil for lubrication purposes is also delivered via the internal lubricating pipe to the control block. With the gearbox in neutral a subsidiary outlet in the control valve allows oil at reduced pressure to flow through the control valve and valve block to an external oil cooler which is protected by a differential pressure relief valve, or intermediate pressure relief valve. On returning from the cooler the oil is directed through channels in the valve block to the feeders and thence through the layshaft and drive shaft to lubricate the clutch assemblies.

With the gearbox in forward or reverse gear the oil is diverted via the high pressure relief valve in the control valve to the oil cooler and clutch assemblies.

Oil, surplus to clutch requirements, is pressurised by a second differential pressure relief valve, or final pressure relief valve, which opens and diverts the surplus oil back to the sump.

### Emergency operation

A device is included in the gearbox which will permit the transmission to operate in the forward gear should hydraulic or clutch failure occur.

To lock the transmission in ahead drive simply remove the top cover, including fork, then replace the cover with fork in front of the emergency splined ring and move the cover back to align with the bolt holes.

The splined ring is thus removed to the engaged position

Replace the cover bolts and secure.

**NOTE:** As this is purely an emergency 'get-you-home' device the engine should be set to only one third of full throttle to avoid the possibility of further damage due to lubrication difficulties. Permanent repairs should be undertaken as soon as possible after breakdown of the transmission and in all probability it will be necessary to strip the clutch assembly to dis-engage the mechanism, as described under 'General Maintenance'.

**WARNING:** Under no circumstances must the access to the 'get-you-home' device be used to fill or top up the gearbox with oil.

## ROUTINE MAINTENANCE

Routine maintenance is confined to regular oil level checks and oil changes, at intervals which should correspond with the intervals for engine oil changes. The by-pass filter should not normally require replacement, but if the gearbox oil has suffered severe contamination by water, or major mechanical damage, replacement will be necessary.

### Initial servicing - after 25 running hours

Set the two-way cock on the hand operated pump, mounted at the rear of the engine, to the rear position and operate the pump to drain the gearbox. Refill with one of the recommended lubricants to the high level mark on the dipstick and allow the oil to circulate. Stop the engine and again check the oil level when the oil has settled.

## GENERAL MAINTENANCE

Maintenance as applied to components or assemblies on the input drive shaft or layshaft is simplified by the ease with which the shafts can be removed from the box without having to remove the complete unit from the installation.

This can be further simplified by fitting complete replacement shaft assemblies, and where skilled service personnel, or workshop facilities, or both, are not readily available, it will be found advantageous to adopt this procedure.

Output shaft maintenance, with the exception of the oil seal, will necessitate removal of the unit from the installation.

A sectional arrangement of the gearbox is shown in Fig. 8, a dismantled input shaft assembly is illustrated in Fig. 13, a layshaft assembly in Fig. 14 and the output shaft and the two halves of the gear casing in Fig. 15.

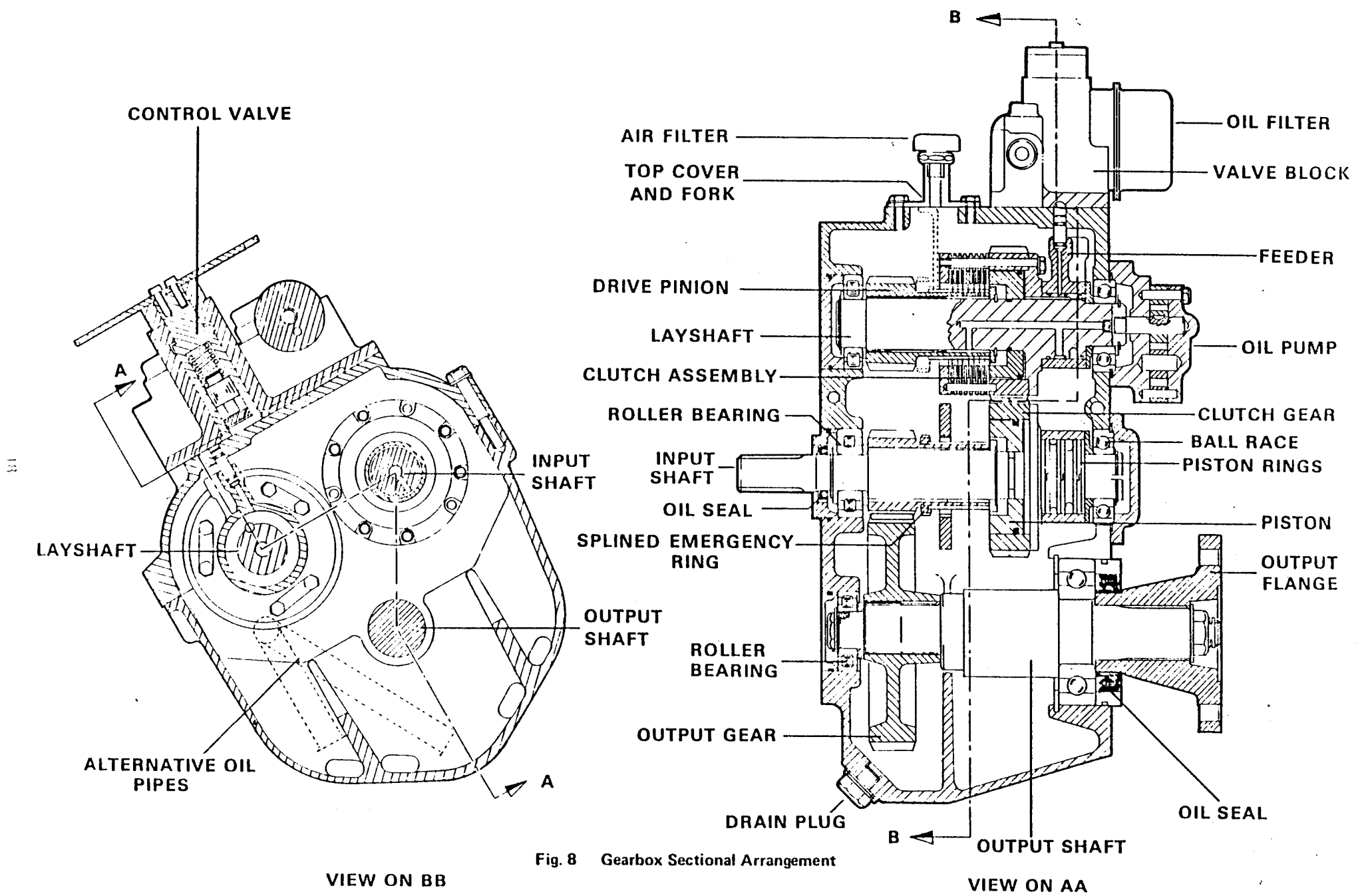


Fig. 8 Gearbox Sectional Arrangement

## REMOVING THE INPUT SHAFT AND LAYSHAFT ASSEMBLIES

1. Drain the gearbox oil into a suitable container.
2. Remove the four bolts securing the oil pump to the casing and remove the pump.
3. Remove the two bolts (PRM100) or three bolts (PRM175 and PRM250) securing the drive shaft end plate or layshaft end plate (left-hand mounting) and remove the plate.
4. Disconnect the oil cooler pipes and the cable or cables from the control lever or control equipment.
5. Unscrew and withdraw the seven bolts; also one nut on the valve block, which secure the top half of the casing. Lift off the casing complete with valve block assembly and top cover.
6. Slacken the flywheel damping plate securing bolts to allow slight movement of the plate when withdrawing the input shaft spline. On units incorporating 3:1 reduction it is recommended that all bolts except one are removed from the damping plate and the plate pivoted on this one bolt to enable the shaft to be lifted clear of the gear on the output shaft.
7. Raise the shaft, and if necessary gyrate a little to withdraw the spline from the opposite spline on the damping plate.
8. Once the spline is clear, lift the complete shaft assembly from the casing. Lift and remove the layshaft assembly and the front end cover from the casing.

## INPUT CLUTCH SHAFT

### Oil seal

In the event of an oil leak due to a damaged seal, remove the input end housing from the shaft and, with the aid of a hard wood drift and hammer force the seal from the housing.

Fit a new seal Part No. MT165 (PRM100) or MT251 (PRM175 and PRM250) in the housing and replace the housing.

### Drive end bearing

To renew a damaged or worn bearing proceed as follows:—

1. Support the shaft in a vice and then remove the input housing and seal assembly.
2. Using circlip pliers remove the bearing circlip and spacer located behind.
3. Withdraw the clutch pinion, spacer and bearing using pulley extractors with the jaws of the extractors located behind the pinion.
4. Refit the clutch pinion to the shaft first ensuring that the splined emergency drive ring is in position on the pinion (right-hand mounted box).
5. Replace the pinion spacer, locate a new roller bearing Part No. T7023 (PRM100) or MT412 (PRM175 and PRM250) on the shaft and gently drive with a hard wood drift and hammer, or press, the assembly into position. If the outer cage separates from the inner be careful not to damage the rollers.
6. Replace the bearing spacer and refit the circlip and end housing, first ensuring the seal and 'O' ring are intact.

### Clutch assembly

Clutch plates which are discoloured by overheating, or worn down to the extent of having lost their pattern of 'criss cross' grooves, will tend to slip. If, or when, either of these conditions arise the complete drive plate assembly will need to be replaced in the following way:—

1. Remove the drive pinion and bearing as described, unlock the six clutch securing bolts and remove the bolts and locking strips, taking care not to lose any of the locating ferrules.
2. Withdraw the complete clutch from the shaft and observe the positions of the pull-off springs and pins.
3. Position the drive pinion, or gear end face, on packing which will allow the shaft to pass through the pinion on assembly.
4. Load the clutch end cover and plate on to the pinion first ensuring the splined ring is in position. If the pins have separated from the clutch end cover re-locate them.
5. Load a replacement clutch pack on to the end plate ensuring the opposite end plate is uppermost.
6. Replace the clutch springs on the retaining pins.
7. If the piston has separated from the clutch gear, replace, and re-position both components on the shaft.
8. Load the shaft through the pinion and re-locate the retaining pins in the clutch gear.
9. Replace the securing bolts and locating strips, and lightly tighten. Then, one at a time, remove each bolt, locate the associated ferrule, and replace the bolt. When all the bolts are replaced tighten with a torque spanner set to a torque of 9 lbf.ft (1.24 kg.m) and close the locking strip tags.
10. Place the thick spacer and bearing on to the shaft and gently drive the bearing into position.
11. Refit the second spacer, circlip and input end housing.

An alternative method involves the use of a hand press to assist in refitting the clutch, clutch pinion and bearing. When this method is adopted the complete clutch is loaded on to the pinion and the pinion and bearing are located on the shaft for pressing into position. Before using the press, great care should be taken to ensure that the whole shaft assembly is correctly aligned otherwise damage will result.

### Clutch gear

To fit a new clutch gear, Part No. MT333 (PRM100) or MT397 (PRM175 and PRM250), remove the clutch as described and then extract the piston retaining spacer and circlip, to allow the piston and clutch gear to be removed from the shaft.

Separate the gear from the piston, ensure the inner and outer piston ring step joints are intact, then fit a new gear around the piston.

Refit the piston to the shaft. Replace the circlip and spacer and then re-assemble the clutch, drive pinion and bearing.

**NOTE:** To ensure quiet operation it is advisable to renew both clutch gears simultaneously.



Fig. 9 Piston rings — fitting procedure

### Drive pinion

To renew a drive pinion, remove the drive end bearing and pinion with pulley extractors as described. If worn, the emergency drive spline ring should also be renewed and, as with the clutch gears, it is advisable to renew both pinions simultaneously.

Ensure the correct ratio pinion is selected by reference to the parts list at the end of this section. If a different ratio to the one being used is required both pinions will have to be changed; also the output gear.

### Non-drive end bearing

Remove the bearing circlip and spacer, and using pulley extractors withdraw the bearing from the shaft.

Fit a new ball race, Part No. MT160 (PRM100), or MT404 (PRM175 and PRM250), to the shaft and refit the spacer and circlip.

### Piston rings and Feeder

Excessive wear or damage may necessitate renewal of the piston rings and feeder, and in this event the following procedure should be adopted.

1. Remove the non-drive end bearing and withdraw the spacer and the feeder.
2. Use a special piston ring extractor or a piece of thin steel such as a smoothly ground hacksaw blade to remove the rings from the shaft.
3. Raise one end of the top ring out of the groove and insert the steel strip between the ring and the shaft. Rotate the strip around the shaft, applying slight forward pressure to the raised portion of the ring until it rests on the land above the groove. It can then be eased off the shaft. Do likewise with the other two rings.

4. Remove the new rings, Part No. CP1192 (PRM100), or MT292 (PRM175 and PRM250), from the packing and clean off any grease or inhibitor.
5. If available, fit a ring loading tool around the shaft, load the rings on the tool and locate in their approximate position. Gently withdraw the tool and allow the rings to locate in their grooves.
6. Where a loading tool is not available use a thin metal strip, long enough to lay along the shaft above the grooves. Expand each ring just sufficient to allow them to be placed in approximate position over the strip. Gently remove the strip and locate the rings in their respective grooves.
7. Compress each ring in turn and carefully fit a new feeder, Part No. MT315 (PRM100), or MT380 (PRM175 and PRM250), and spacer.

## LAYSHAFT

### Drive end bearing

The bearing fitted to the PRM100 layshaft is identical with the bearing on the input shaft and the same applies for the PRM175 and PRM250; renewal procedure is similar.

1. Remove the bearing circlip and spacer and withdraw the bearing.
2. Fit a new bearing to the shaft and refit the spacer and circlip.
3. Replace the end cover, first ensuring the 'O' ring is intact.

### Clutch Assembly – Drive pinion and Clutch gear

The procedures for renewing the clutch assembly, clutch gear and drive pinions are the same as those described for the input shaft.

### Non-drive end bearing

As with the drive end bearings, the non-drive end bearings are identical with their counterparts on the input shaft and if damaged or worn should be renewed in the same way.

### Piston rings and Feeder

The same number and same size rings and feeder are fitted on the appropriate layshaft, as those fitted to the appropriate input shaft. The same renewal procedure therefore applies.

## REPLACING THE INPUT SHAFT AND LAYSHAFT ASSEMBLIES

1. Locate the input shaft assembly in the casing and engage the spline with the spline on the engine damping plate. Tighten the damping plate bolts.
2. Locate the layshaft in the casing and ensure the end cover is positioned.
3. Fit the top half of the casing and secure.
4. Reconnect the oil cooler pipes.
5. Refit the oil pump and renew the 'O' rings if the existing ones are damaged. Replace the input shaft end plate.
6. Refill the box with one of the recommended lubricants, and check the oil level.
7. Reconnect the control cable, or cables, to the control equipment or control lever.
8. Run the engine, shut down and again check the oil level.

## OUTPUT SHAFT

Removal of the output shaft will necessitate removing the gearbox from the installation in the following way.

1. Drain the gearbox oil, by means of the hand operated pump, into a suitable container. Support the unit to take the weight off the drive shaft and output shaft, remove the output flange coupling bolts and disconnect the propeller shaft coupling.
2. Disconnect the cable from the control lever.
3. Obtain access to the damping plate through the flywheel housing or inspection cover on the adaptor plate; slacken the engine damping plate securing bolts and then remove the engine/adaptor plate mounting bolts.
4. Withdraw the input shaft spline from the damping plate spline and remove the unit from the installation.
5. Remove the oil pump, the input shaft end cover and then the top half of the casing.
6. Remove the input shaft and layshaft assemblies.
7. Remove the output shaft end housing securing bolts.
8. Release the rear bearing circlip; at this stage it will not be possible to remove the circlip from the shaft.
9. Drive the shaft forward to displace the end cover.
10. Unscrew the single setscrew (PRM100) or the two setscrews (PRM175 and PRM250) and remove together with the tabwasher, PRM100 only, or shakeproof washers (PRM175 and PRM250) and bearing retaining washer from the front of the shaft.

11. Drive the shaft backwards; this will allow the front bearing and output gear (held by web in gearcase) to be removed from the shaft.
12. Withdraw the shaft with rear bearing oil seal, output end housing and output flange from the rear of the case.
13. Before re-assembling the shaft in the casing, ensure the oil seals and 'O' rings are not damaged or worn, and follow the 'Front bearing and output gear' instructions when fitting the front bearing and output gear to the shaft.
14. Re-assemble the gearbox in the reverse order to that described above.

#### Front bearing and Output gear

To renew a front bearing or output gear proceed as follows:—

1. Remove the bearing and output gear from the shaft with the shaft in the casing as described.
2. If the bearing is the defective component, ensure the output gear is not damaged and then place the output gear, spacer and new bearing, Part No. MT360 (PRM100), or MT406 (PRM175 and PRM250), in position on the shaft.
3. If the output gear is the defective component, fit a new one of the same ratio as the one removed, unless different ratio drive pinions have been fitted, and ensure the bearing is sound. Where the drive pinions have been changed, ensure the output gear ratio corresponds. Refer to Parts list for Part numbers and ratios.
4. Refit the rear bearing circlip and then, with the shaft assembly carefully aligned, drive the shaft forward until the rear bearing is up to the circlip.
5. Stand, and support the casing on the output flange and, using a hard wood drift or soft metal sleeve of correct diameter, gently drive the inner front bearing into position. Replace the bearing outer cage and secure with tabwasher (when fitted), washer(s) and screw or screws.

#### Oil seal

Providing there is sufficient space and clearance when the propeller shaft coupling is disconnected to allow the output flange to be withdrawn the oil seal may be renewed, without removing the gearbox from the installation.

1. Restrain the output flange from turning by 'barring' it with a lever locked against bolts placed in the coupling holes. Remove the flange locking nut and spacer.
2. Withdraw the flange with pulley extractors, remove the output end housing and extract the oil seal.
3. Examine the housing 'O' ring and if worn or damaged, renew.
4. Check the oil seal bearing surfaces for wear, and, if grooved, replace the output flange.
5. Fit a new seal, Part No. MT349 (PRM100), or MT252 (PRM175 and PRM250) check the oil seal sleeve and refit the housing and seal to the output flange.
6. Locate the output flange on the shaft and, using a wooden drift and hammer gently drive the flange into position.
7. Replace the spacer and locknut and tighten to a torque of 250 lbf.ft (34.5 kg.m).

#### Rear bearing

With the output shaft removed from the casing remove the flange and end housing and withdraw the bearing with pulley extractors. Fit a new bearing, Part No. A15 (PRM100), MT405 (PRM175) or MT451 (PRM250), ensure the seal is sound and re-assemble the flange and end housing.

#### VALVE BLOCK

The complete valve block can be removed for inspection by simply removing the five bolts and single nut.

#### Low pressure relief valves

The two low pressure relief valves can be withdrawn once the valve block is removed, by extracting the spring retaining rings from the valve bores.

#### Control valve

To remove the control valve, remove the valve block and then using an Allen key remove the two ¼" UNF lever retaining cap screws. Care should be taken not to lose or misplace the detent ball bearings and springs. Renew the 'O' ring Part No. 0,01313 if damaged or defective.

#### High pressure relief valve

Removal of the high pressure relief valve is effected simply by withdrawing the circlip in the base of the control valve. Valve stop, valve and spring will then slide out.

## SPARE PARTS ORDERING

When ordering spare parts the following should be quoted:—

- (a) Gearbox model and serial number.
- (b) Description(s) and part number(s) of the component(s) required.
- (c) Quantity required.

### NOTES:

1. Individual items which form part of an assembly, or main component, are indented and may be supplied separately; if the assembly is ordered all components pertaining to that assembly are supplied. For example if the 'clutched input shaft' assembly is ordered the shaft itself and every item called up and shown on the corresponding illustration will be supplied, with the exception of the end housing and oil seal. The same applies to the layshaft.
2. The oil pump is supplied as a complete assembly, and the clutch plate assemblies, i.e. end plates, driven plates and drive plates are supplied in sets.

Orders and enquiries for spare parts should be addressed to:

NEWAGE ENGINEERS LIMITED  
TRANSMISSIONS DIVISION  
PROPULSION WORKS  
DUCHESS STREET  
SHAW, NEAR OLDHAM  
LANCS  
ENGLAND

Telephone Shaw 7832

Telex 31333

Cables Propulsion, Shaw, Oldham



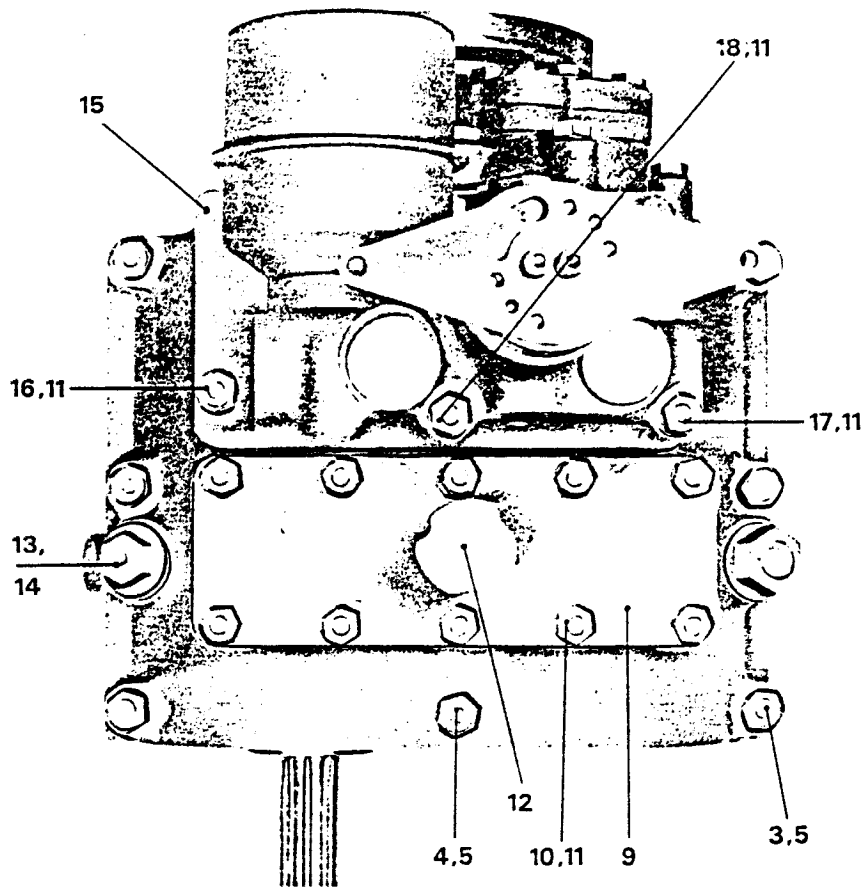


Fig. 10 Gearbox top view

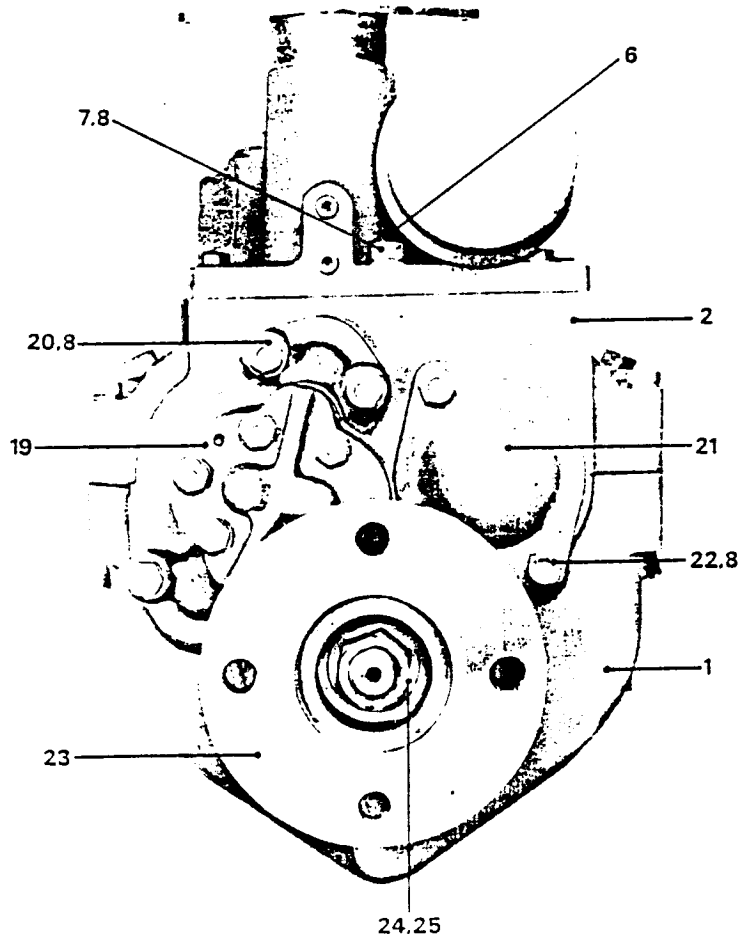


Fig. 11 Gearbox Rear view

# PARTS LIST

| Plate Ref. | Description                              | PRM100 Part No. | Qty. | PRM175 Part No. | Qty. | PRM250 Part No. | Qty. |
|------------|--|-----------------|------|-----------------|------|-----------------|------|
| 1          | GEARCASE – Bottom                        | MT102           | 1    | MT215           | 1    | MT215           | 1    |
| 2          | GEARCASE – Top                           | MT103           | 1    | MT216           | 1    | MT216           | 1    |
| 3          | Bolt – gearcase                          | UBF113          | 6    | UBF113          | 6    | UBF113          | 6    |
| 4          | Bolt – gearcase                          | UBF173          | 1    | UBF163          | 1    | UBF163          | 1    |
| 5          | Washer – bolt                            | W108            | 8    | W108            | 8    | W108            | 8    |
| 6          | Stud – gearcase                          | MT310           | 1    | MT373           | 1    | MT373           | 1    |
| 7          | Nut – stud – 3/8" UNF                    | UN505           | 1    | UN505           | 1    | UN505           | 1    |
| 9          | TOP COVER                                | MT342S/A        | 1    | MT420S/A        | 1    | MT420S/A        | 1    |
|            | Plug – breather (Horizontal mounted box) | CP1123          | 1    | CP1123          | 1    | CP1123          | 1    |
| 10         | Screw – cover                            | USF12           | 10   | USF12           | 10   | USF12           | 10   |
| 11         | Washer – sealing                         | CP1223          | 10   | CP1223          | 10   | CP1223          | 10   |
| 12         | FILTER – AIR (Vertical MTD)              | CP1057          | 1    | CP1057          | 1    | CP1057          | 1    |
|            | FILTER – AIR (Horizontal MTD)            | MT421           | 1    | MT421           | 1    | MT421           | 1    |
| 13         | Plug – flanged                           | CP1189          | 3    | CP1189          | 3    | CP1189          | 3    |
| 14         | Washer – sealing                         | CP1068          | 3    | CP1068          | 3    | CP1068          | 3    |
| 15         | VALVE BLOCK                              | MT675           | 1    | MT675           | 1    | MT675           | 1    |
| 16         | Screw – Valve block/gearcase             | USF52           | 3    | USF52           | 3    | USF52           | 3    |
| 11         | Washer – sealing                         | CP1223          | 3    | CP1223          | 3    | CP1223          | 3    |
| 17         | Bolt – valve block/gearcase              | UBF132          | 1    | UBF132          | 1    | UBF132          | 1    |
| 11         | Washer – sealing                         | CP1223          | 1    | CP1223          | 1    | CP1223          | 1    |
| 18         | Bolt – valve block/gearcase              | UBF142          | 1    | UBF142          | 1    | UBF142          | 1    |
| 11         | Washer – sealing                         | CP1223          | 1    | CP1223          | 1    | CP1223          | 1    |
| 19         | OIL PUMP ASSEMBLY<br>(See Fig. 15)       | MT479           | 1    | MT480           | 1    | MT480           | 1    |
| 20         | Bolt – pump to casing                    | UBF93           | 4    | UBF63           | 4    | UNF83           | 4    |
| 8          | Washer – sealing                         | CP1224          | 4    | CP1224          | 4    | CP1224          | 4    |
| 21         | Endcover – input shaft                   | MT318           | 1    | MT374           | 1    | MT374           | 1    |
| 22         | Screw – endcover                         | USF33           | 2    | USF33           | 3    | USF33           | 3    |
| 8          | Washer – sealing                         | CP1224          | 2    | CP1224          | 3    | CP1224          | 3    |
| 23         | Flange – output                          | MT447           | 1    | MT415           | 1    | MT415           | 1    |
| 24         | Washer – plain                           | MT600           | 1    | MT664           | 1    | MT664           | 1    |
| 25         | Nut – locking                            | MT689           | 1    | MT690           | 1    | MT690           | 1    |

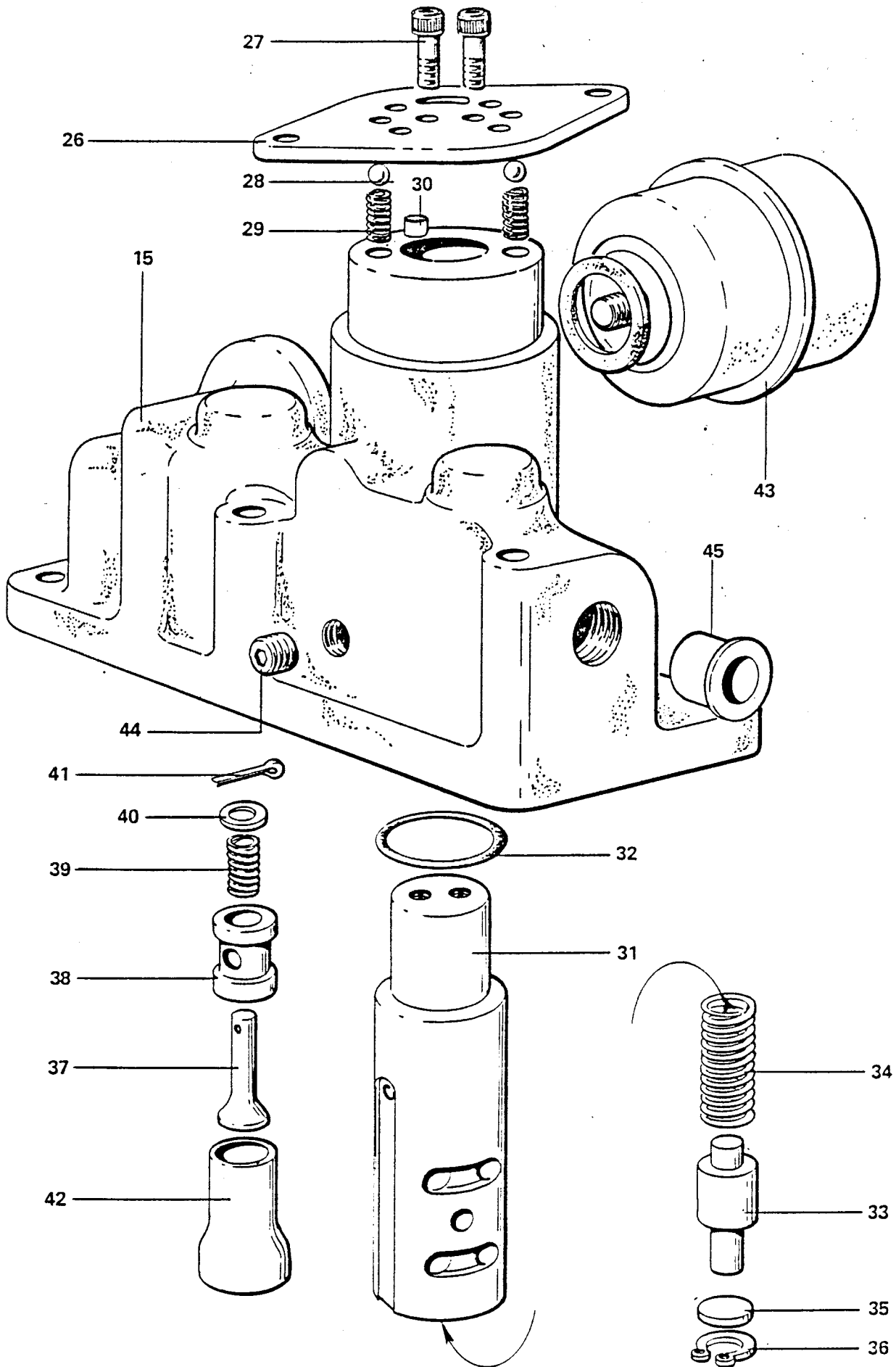


Fig. 12 Valve Block Assembly

# PARTS LIST

| Plate Ref. | Description                      | PRM100 Part No. | Qty. | PRM175 Part No. | Qty. | PRM250 Part No. | Qty. |
|------------|----------------------------------|-----------------|------|-----------------|------|-----------------|------|
| 26         | LEVER – operating                | MT678           | 1    | MT678           | 1    | MT678           | 1    |
| 27         | Screw – lever                    | UFC410          | 2    | UFC410          | 2    | UFC410          | 2    |
| 28         | Detent ball                      | CP1077          | 2    | CP1077          | 2    | CP1077          | 2    |
| 29         | Detent spring                    | MT683           | 2    | MT683           | 2    | MT683           | 2    |
| 30         | Stop pin – lever                 | CP1101          | 1    | CP1101          | 1    | CP1101          | 1    |
|            | VALVE ASSEMBLY – control         | MT699           | 1    | MT699           | 1    | MT699           | 1    |
| 31         | CONTROL VALVE                    | MT676           | 1    | MT676           | 1    | MT676           | 1    |
| 32         | 'O' ring                         | 0,01313         | 1    | 0,01313         | 1    | 0,01313         | 1    |
| 33         | RELIEF VALVE                     | MT302           | 1    | MT302           | 1    | MT302           | 1    |
| 34         | Valve spring – relief            | MT446           | 1    | MT446           | 1    | MT446           | 1    |
| 35         | Valve stop – relief              | MT308           | 1    | MT308           | 1    | MT308           | 1    |
| 36         | Circlip                          | MT312           | 1    | MT312           | 1    | MT312           | 1    |
|            | VALVE ASSEMBLY – Pressure        |                 |      |                 |      |                 |      |
|            | Differential                     | MT696           | 2    | MT696           | 2    | MT696           | 2    |
| 37         | Valve – pressure differential    | MT303           | 2    | MT303           | 2    | MT303           | 2    |
| 38         | Seat – valve                     | MT304           | 2    | MT304           | 2    | MT304           | 2    |
| 39         | Spring – valve                   | MT305           | 2    | MT305           | 2    | MT305           | 2    |
| 40         | Washer – plain                   | W128            | 2    | W128            | 2    | W128            | 2    |
| 41         | Pin – split                      | 40M/244         | 2    | 40M/244         | 2    | 40M/244         | 2    |
| 42         | Spring ring                      | MT686           | 1    | MT686           | 1    | MT686           | 1    |
| 43         | FILTER – OIL                     | MT279           | 1    | MT279           | 1    | MT279           | 1    |
| 44         | Plug – pressure                  | MT311           | 3    | MT311           | 3    | MT311           | 3    |
| 45         | Seal – Redcap – for transit only | MT477           | 2    | MT477           | 2    | MT477           | 2    |

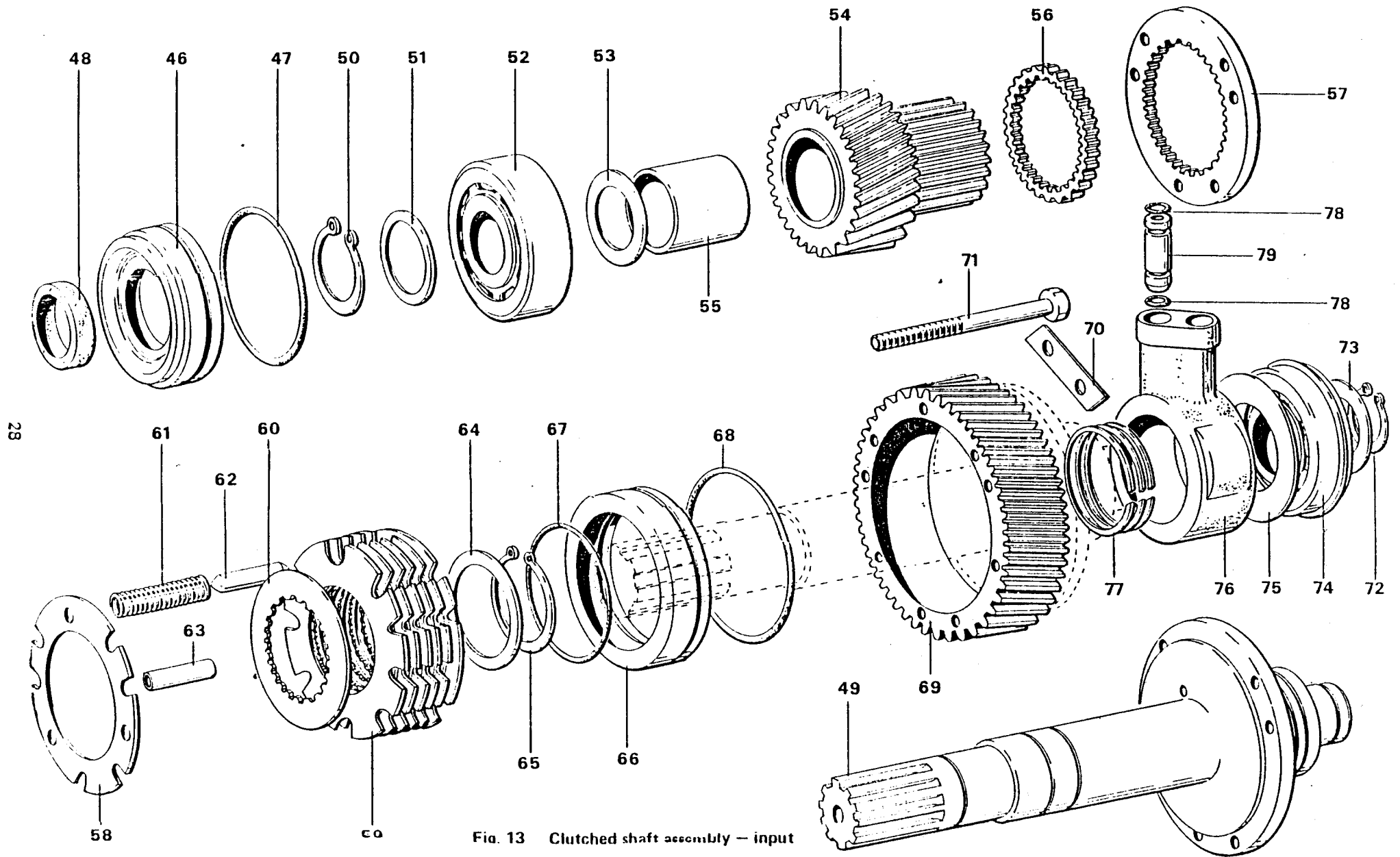


Fig. 13 Clutched shaft assembly - input

# PARTS LIST

| Plate Ref. | Description   | PRM100 Part No. | Qty. | PRM175 Part No. | Qty. | PRM250 Part No. | Qty. |
|------------|---|-----------------|------|-----------------|------|-----------------|------|
| 46         | End housing – input                                       | MT317           | 1    | MT382           | 1    | MT382           | 1    |
| 47         | 'O' ring  | 0,02433         | 1    | 0,02874         | 1    | 0,02874         | 1    |
| 48         | Oil seal  | MT165           | 1    | MT251           | 1    | MT251           | 1    |
|            | <b>CLUTCHED SHAFT ASSEMBLY –</b>                          |                 |      |                 |      |                 |      |
|            | Input   |                 |      |                 |      |                 |      |
|            | (standard gearbox)  | MT481           | 1    | MT483           | 1    | MT409           | 1    |
|            | (left hand gearbox – handed pair)                         | MT667           | 1    | MT665           | 1    | MT666           | 1    |
| 49         | INPUT SHAFT   | MT340           | 1    | MT390           | 1    | MT390           | 1    |
| 50         | Circlip   | CP1096          | 1    | CM2053          | 1    | CM2053          | 1    |
| 51         | Spacer  | MT336           | 1    | MT419           | 1    | MT419           | 1    |
| 52         | BEARING – ROLLER – drive end                              | T7023           | 1    | MT412           | 1    | MT412           | 1    |
| 53         | Spacer  | MT350           | 1    | MT386           | 1    | MT386           | 1    |
| 54         | PINION – DRIVE – 3:1 ratio                                | MT326           | 1    | MT398           | 1    | MT398           | 1    |
|            | 2:1 ratio   | MT328           | 1    | MT399           | 1    | MT399           | 1    |
|            | 1:1 ratio   | MT330           | 1    | MT400           | 1    | MT400           | 1    |
| 55         | Bush  | MT361           | 2    | MT416           | 2    | MT416           | 2    |
| 56         | Splined ring*   | MT334           | 1    | MT395           | 1    | MT395           | 1    |
| 57         | CLUTCH END COVER – splined                                | MT335           | 1    | MT394           | 1    | MT394           | 1    |
|            | PLATE ASSEMBLY – CLUTCH – Supplied as a complete assembly | MT693           | 1    | MT694           | 1    | MT695           | 1    |
| 58         | Clutch end plate  | MT117           | 2    | MT214           | 2    | MT214           | 2    |
| 59         | Clutch plate – driven                                     | MT116           | 5    | MT212           | 6    | MT212           | 6    |
| 60         | Clutch plate – driver                                     | MT118           | 6    | MT213           | 7    | MT488           | 7    |
| 61         | Spring – pull-off   | MT120           | 3    | MT293           | 3    | MT293           | 3    |
| 62         | Pin – spring  | MT357           | 3    | MT418           | 3    | MT418           | 3    |
| 63         | Ferrule   | MT115           | 6    | MT234           | 6    | MT234           | 6    |
| 64         | Spacer  | MT344           | 1    | MT387           | 1    | MT387           | 1    |
| 65         | Circlip   | CP1102          | 1    | CM2067          | 1    | CM2067          | 1    |
| 66         | PISTON  | MT345           | 1    | MT389           | 1    | MT389           | 1    |
| 67         | Step joint – piston ring                                  | MT358           | 1    | MT369           | 1    | MT369           | 1    |
| 68         | Step joint – piston ring                                  | MT359           | 1    | MT370           | 1    | MT370           | 1    |
| 69         | CLUTCH GEAR R.H.  | MT333           | 1    | MT397           | 1    | MT397           | 1    |
| 70         | Tab strip   | MT351           | 3    | MT411           | 3    | MT411           | 3    |
| 71         | Bolt – clutch securing                                    | MT452           | 6    | MT456           | 6    | MT456           | 6    |
| 72         | Circlip   | CP1096          | 1    | CM2067          | 1    | CM2067          | 1    |
| 73         | Spacer  | MT336           | 1    | MT385           | 1    | MT385           | 1    |
| 74         | BEARING – BALL – non-drive end                            | MT160           | 1    | MT404           | 1    | MT404           | 1    |
| 75         | Spacer  | MT337           | 1    | MT384           | 1    | MT384           | 1    |
| 76         | FEEDER  | MT315           | 1    | MT380           | 1    | MT380           | 1    |
| 77         | Piston ring   | CP1192          | 3    | MT292           | 3    | MT292           | 3    |
| 78         | 'O' ring  | 0,00372         | 4    | 0,00372         | 4    | 0,00372         | 4    |
| 79         | Connector – feeder  | MT352           | 2    | MT352           | 2    | MT352           | 2    |

\*Only fitted on MT481, MT483 and MT409

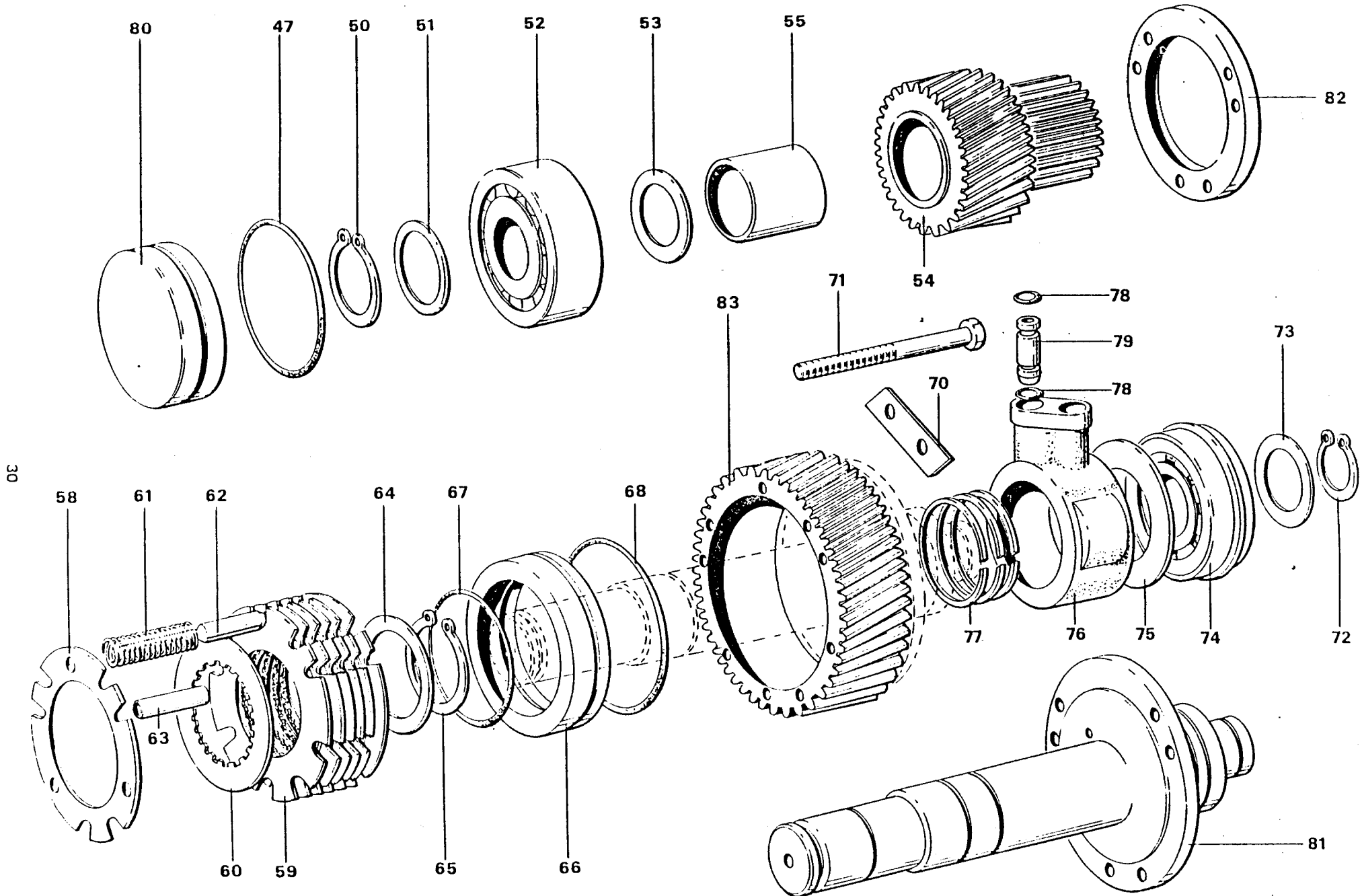


Fig. 14 Clutched shaft assembly - layshaft

# PARTS LIST

| Plate Ref. | Description                       | PRM100 Part No. | Qty. | PRM175 Part No. | Qty. | PRM250 Part No. | Qty. |
|------------|-----------------------------------|-----------------|------|-----------------|------|-----------------|------|
| 80         | End cover                         | MT316           | 1    | MT383           | 1    | MT383           | 1    |
| 47         | 'O' ring                          | 0,02433         | 1    | 0,02874         | 1    | 0,02874         | 1    |
|            | <b>CLUTCHED SHAFT ASSEMBLY-</b>   |                 |      |                 |      |                 |      |
|            | Layshaft                          |                 |      |                 |      |                 |      |
|            | (Standard gearbox)                | MT482           | 1    | MT489           | 1    | MT499           | 1    |
|            | (left hand gearbox - handed pair) |                 |      |                 |      |                 |      |
| 81         | LAYSHAFT                          | MT608           | 1    | MT609           | 1    | MT610           | 1    |
| 50         | Circlip -- bearing                | MT339           | 1    | MT391           | 1    | MT391           | 1    |
| 51         | Spacer                            | CP1096          | 1    | CM2053          | 1    | CM2053          | 1    |
| 52         | BEARING - ROLLER - drive end      | MT336           | 1    | MT419           | 1    | MT419           | 1    |
| 53         | Spacer                            | T7023           | 1    | MT412           | 1    | MT412           | 1    |
| 54         | PINION - DRIVE - 3:1 ratio        | MT350           | 1    | MT386           | 1    | MT386           | 1    |
|            | 2:1 ratio                         | MT326           | 1    | MT398           | 1    | MT398           | 1    |
|            | 1:1 ratio                         | MT328           | 1    | MT399           | 1    | MT399           | 1    |
| 55         | Bush                              | MT330           | 1    | MT400           | 1    | MT400           | 1    |
|            | Splined ring**                    | MT361           | 2    | MT416           | 2    | MT416           | 2    |
| 82         | Clutch end cover - plain          | MT334           | 1    | MT395           | 1    | MT395           | 1    |
|            | PLATE ASSEMBLY - Clutch -         | MT338           | 1    | MT393           | 1    | MT393           | 1    |
|            | Supplied as a complete assembly   | MT693           | 1    | MT694           | 1    | MT695           | 1    |
| 58         | Clutch end plate                  | MT117           | 2    | MT214           | 2    | MT214           | 2    |
| 59         | Clutch plate - driven             | MT116           | 5    | MT212           | 6    | MT212           | 6    |
| 60         | Clutch plate - driver             | MT118           | 6    | MT213           | 7    | MT488           | 7    |
| 61         | Spring - pull-off                 | MT120           | 3    | MT293           | 3    | MT293           | 3    |
| 62         | Pin - spring                      | MT357           | 3    | MT418           | 3    | MT418           | 3    |
| 63         | Ferrule                           | MT115           | 6    | MT234           | 6    | MT234           | 6    |
| 64         | Spacer                            | MT344           | 1    | MT387           | 1    | MT387           | 1    |
| 65         | Circlip                           | CP1102          | 1    | CM2067          | 1    | CM2067          | 1    |
| 66         | PISTON                            | MT345           | 1    | MT389           | 1    | MT389           | 1    |
| 67         | Step joint - piston ring          | MT358           | 1    | MT369           | 1    | MT369           | 1    |
| 68         | Step Joint - piston ring          | MT359           | 1    | MT370           | 1    | MT370           | 1    |
| 83         | CLUTCH GEAR L.H.                  | MT332           | 1    | MT396           | 1    | MT396           | 1    |
| 70         | Tab strip                         | MT351           | 3    | MT411           | 3    | MT411           | 3    |
| 71         | Bolt - clutch securing            | MT452           | 6    | MT456           | 6    | MT456           | 6    |
| 72         | Circlip                           | CP1096          | 1    | CM2067          | 1    | CM2067          | 1    |
| 73         | Spacer                            | MT336           | 1    | MT385           | 1    | MT385           | 1    |
| 74         | BEARING - BALL - non-drive end    | MT160           | 1    | MT404           | 1    | MT404           | 1    |
| 75         | Spacer                            | MT337           | 1    | MT384           | 1    | MT384           | 1    |
| 76         | FEEDER                            | MT315           | 1    | MT380           | 1    | MT380           | 1    |
| 77         | Piston ring                       | CP1192          | 3    | MT292           | 3    | MT292           | 3    |
| 78         | 'O' ring                          | 0,00372         | 4    | 0,00372         | 4    | 0,00372         | 4    |
| 79         | Connector - feeder                | MT352           | 2    | MT352           | 2    | MT352           | 2    |

\*\*Only fitted on MT608, MT609 and MT610.



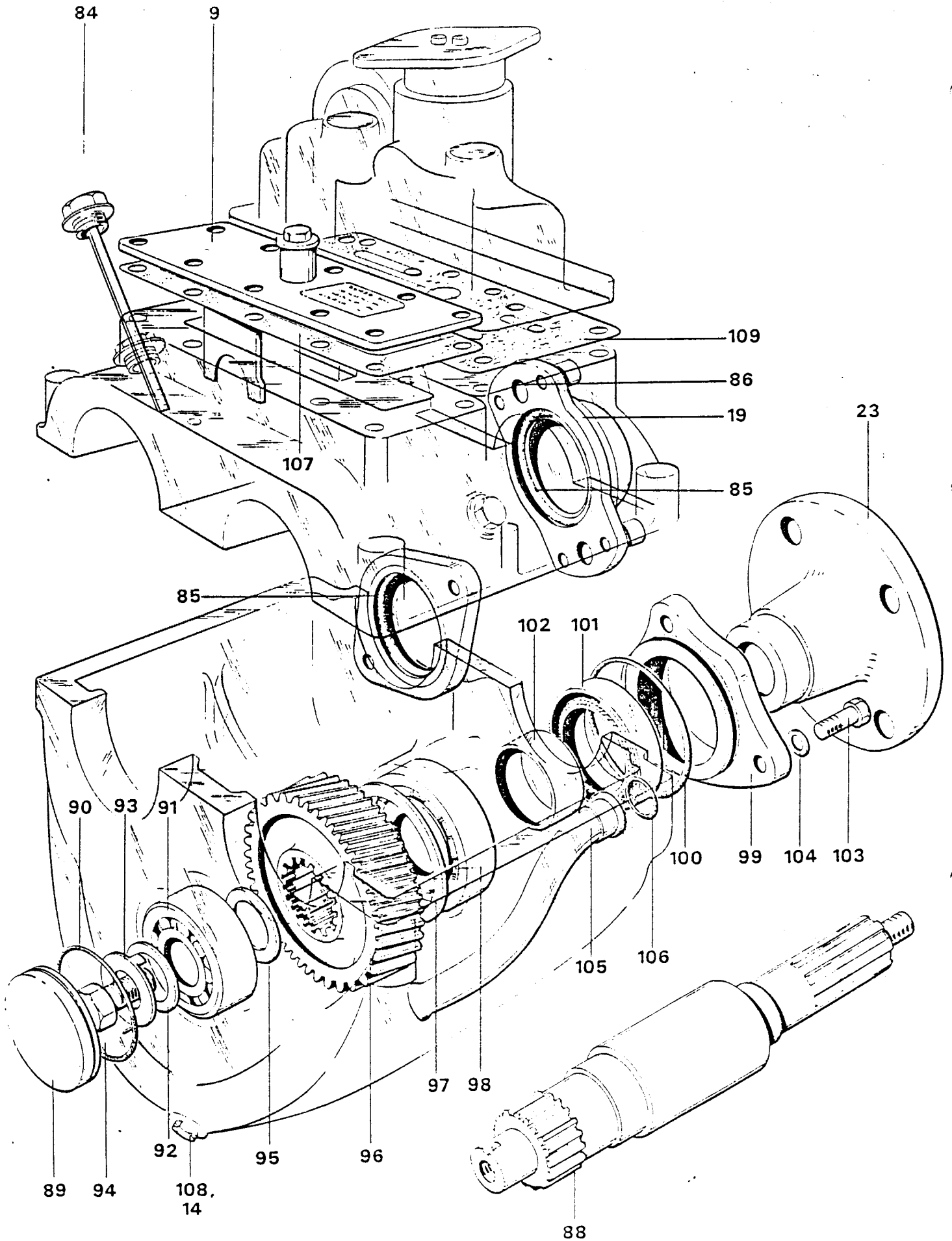


Fig. 15 Gearcase and output shaft assembly

# PARTS LIST

| Plate Ref. | Description                             | PRM100 Part No. | Qty. | PRM175 Part No. | Qty. | PRM250 Part No. | Qty. |
|------------|---|-----------------|------|-----------------|------|-----------------|------|
| 84         | Dipstick/Filler – Vertical              | MT471           | 1    | MT472           | 1    | MT472           | 1    |
|            | Dipstick/Filler – Horizontal            | MT485           | 1    | MT486           | 1    | MT486           | 1    |
| 19         | PUMP ASSEMBLY – Oil – supplied complete |                 |      |                 |      |                 |      |
|            | Adaptor – pump                          | MT314           | 1    | MT371           | 1    | MT371           | 1    |
|            | Plate – pump                            | MT320           | 1    | MT372           | 1    | MT372           | 1    |
|            | Gear – driver                           | MT322           | 1    | MT377           | 1    | MT377           | 1    |
|            | Gear – driven                           | MT323           | 1    | MT379           | 1    | MT379           | 1    |
|            | Spindle – driver                        | MT324           | 1    | MT376           | 1    | MT376           | 1    |
|            | Spindle – driven                        | MT325           | 1    | MT378           | 1    | MT378           | 1    |
|            | Dowel                                   | MT356           | 2    | MT417           | 2    | MT417           | 2    |
|            | Key – Woodruff                          | CP1193          | 1    | CP1089          | 1    | CP1089          | 1    |
|            | Cover – pump                            | MT321           | 1    | MT321           | 1    | MT321           | 1    |
|            | Bolt – cover                            | UBF62           | 6    | UBF82           | 6    | UBF82           | 6    |
|            | Washer – sealing                        | CP1223          | 6    | CP1223          | 6    | CP1223          | 6    |
| 85         | 'O' ring                                | 0,02873         | 2    | 0,03383         | 2    | 0,03383         | 2    |
| 86         | 'O' ring – pump to casing               | 0,00813         | 2    | 0,00813         | 2    | 0,00813         | 2    |
|            | 'O' ring – valve block to casing        | 0,00623         |      | 0,00623         | 1    | 0,00623         | 1    |
| 88         | OUTPUT SHAFT                            | MT346           | 1    | MT392           | 1    | MT392           | 1    |
| 89         | End cover                               | MT429           | 1    | MT430           | 1    | MT430           | 1    |
| 90         | 'O' ring                                | 0,02063         | 1    | 0,02433         | 1    | 0,02433         | 1    |
| 91         | BEARING – Roller – forward              | MT360           | 1    | MT406           | 1    | MT406           | 1    |
| 92         | Washer – bearing retaining              | MT428           | 1    | MT423           | 1    | MT423           | 1    |
| 93         | Washer – tab/shakeproof                 | MT425           | 1    | MT489           | 1    | MT489           | 1    |
| 94         | Screw                                   | USF33           | 1    | USF12           | 2    | USF12           | 2    |
| 95         | Spacer                                  | MT353           | 1    | MT388           | 1    | MT388           | 1    |
| 96         | OUTPUT GEAR 3:1                         | MT327           | 1    | MT401           | 1    | MT401           | 1    |
|            | 2:1                                     | MT329           | 1    | MT402           | 1    | MT402           | 1    |
|            | 1:1                                     | MT331           | 1    | MT403           | 1    | MT403           | 1    |
| 97         | Circlip – bearing                       | CP1190          | 1    | CP1194          | 1    | CP1194          | 1    |
| 98         | BEARING – Ball – drive end              | A15             | 1    | MT405           | 1    | MT451           | 1    |
| 99         | End housing – output                    | MT319           | 1    | MT375           | 1    | MT375           | 1    |
| 100        | 'O' ring                                | 0,03504         | 1    | 0,04754         | 1    | 0,04754         | 1    |
| 101        | Seal                                    | MT349           | 1    | MT252           | 1    | MT252           | 1    |
| 102        | Sleeve – oil seal                       | MT368           | 1    | MT381           | 1    | MT381           | 1    |
| 103        | Bolt – end housing                      | UBF53           | 3    | UBF53           | 4    | UBF53           | 4    |
| 104        | Washer                                  | W108            | 3    | W108            | 4    | W108            | 4    |
| 105        | Oil pipe – standard                     | MT354S/A        | 1    | MT354S/A        | 1    | MT354S/A        | 1    |
|            | Oil pipe – short                        | MT362S/A        | 1    | MT410S/A        | 1    | MT410S/A        | 1    |
| 106        | 'O' ring                                | 0,01254         | 1    | 0,01254         | 1    | 0,01254         | 1    |
| 107        | Joint – top cover                       | MT343           | 1    | MT343           | 1    | MT343           | 1    |
| 108        | Plug – flanged – drain                  | CP1268          | 1    | CP1268          | 1    | CP1268          | 1    |
| 14         | Washer – sealing                        | CP1068          | 1    | CP1068          | 1    | CP1068          | 1    |
| 109        | Joint – valve block                     | MT313           | 1    | MT313           | 1    | MT313           | 1    |